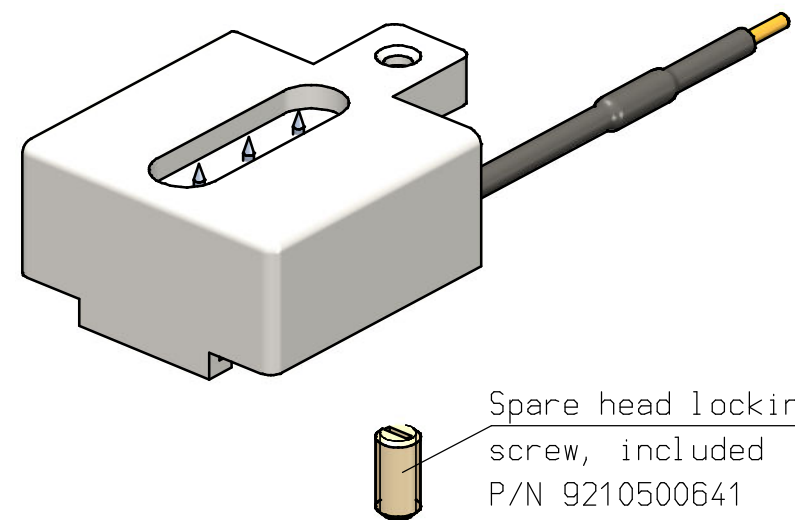
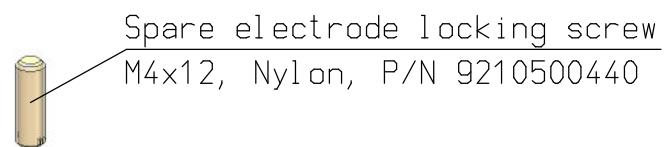
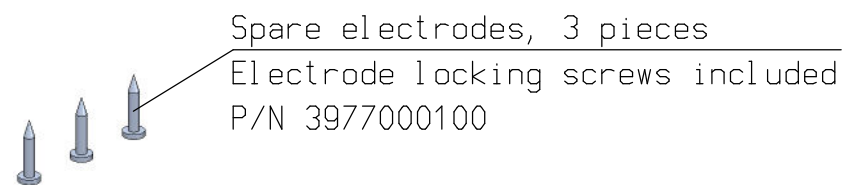
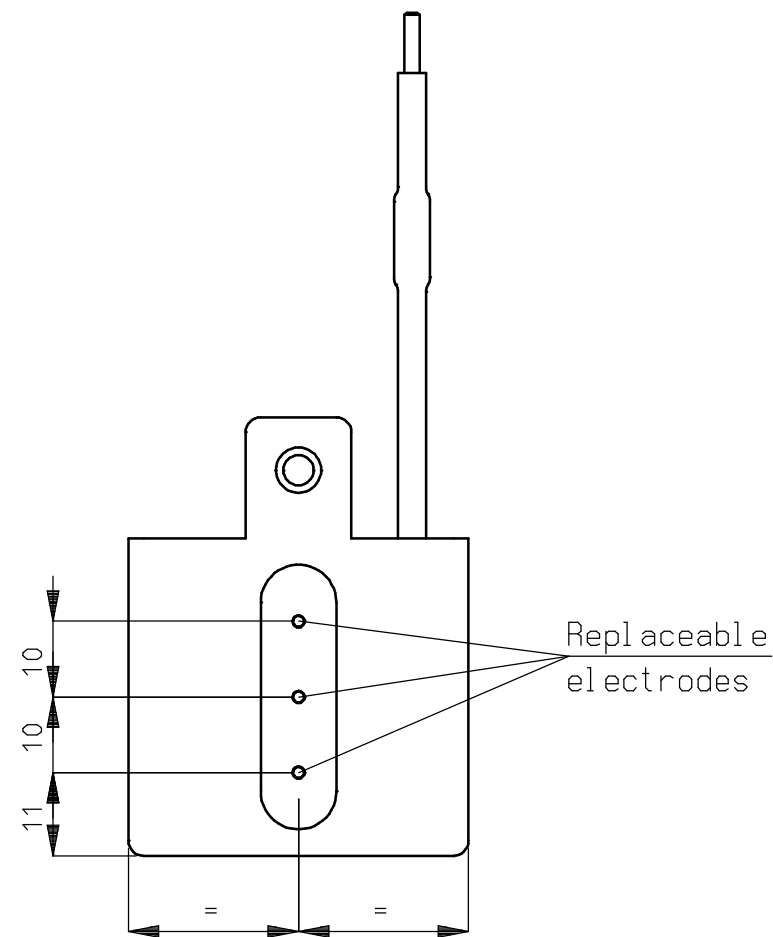
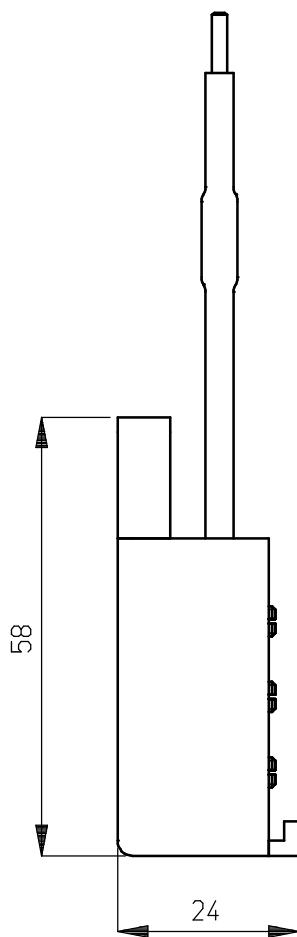
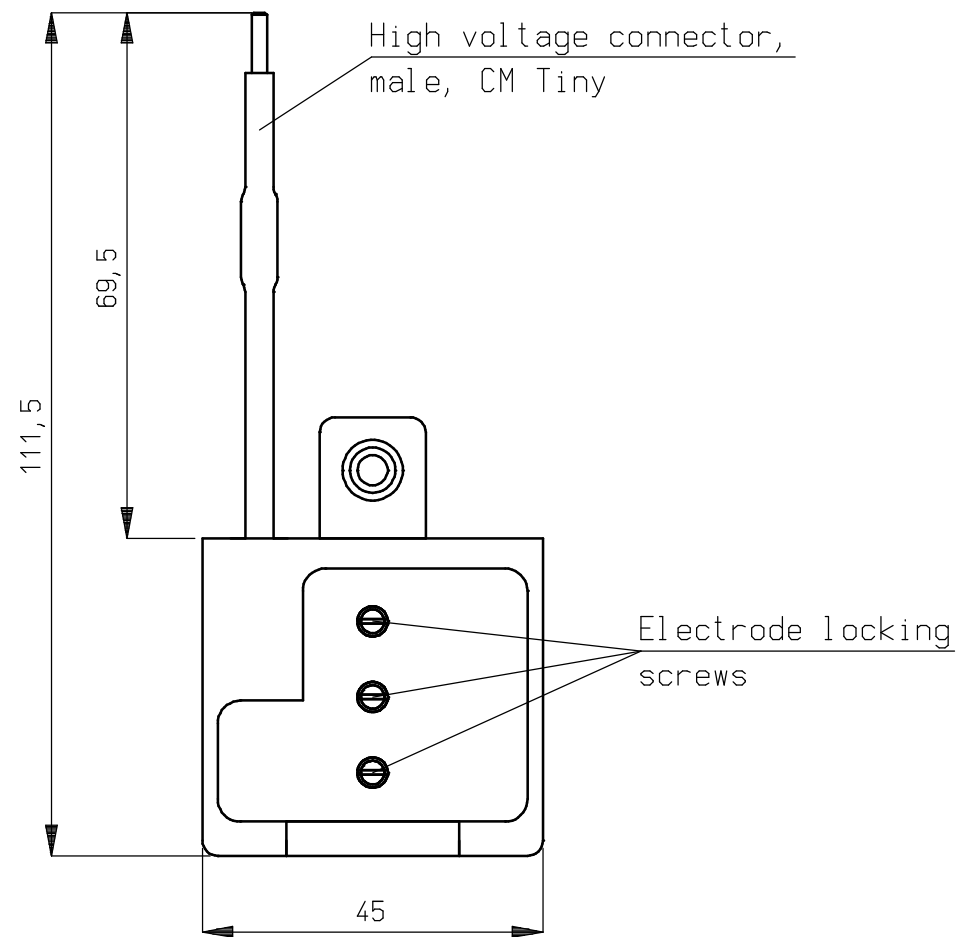


Replaceable head with 1 or 4 HV-outputs  
 NOT INCLUDED, part numbers:  
 0986100100 - J-block head 1 position  
 0986100400 - J-block head 4 positions

PART NO.	TYPE
0977074000	CM Tiny
0977074010	CM Tiny IQ

 An ITW Company www.simco-ion.nl Tel: +31 (0)573 288333	Name: High voltage generator type CM Tiny/CM Tiny IQ				Drawn: AB	Part no.: 09770740xx
	CAD generated NOT updated	Dimensions in mm	Date: 9-10-2013	A3 M: 1:1	ECN2017-013	Check: -



 An ITW Company	Name: <b>Head 3p CM Tiny 68M</b>						Drawn: AB	Part no.: <b>3977000000</b>
	CAD generated NOT updated	Dimensions in mm	Date: 28-5-2014	A3	M: 1:1		ECN2011-070	Check: -