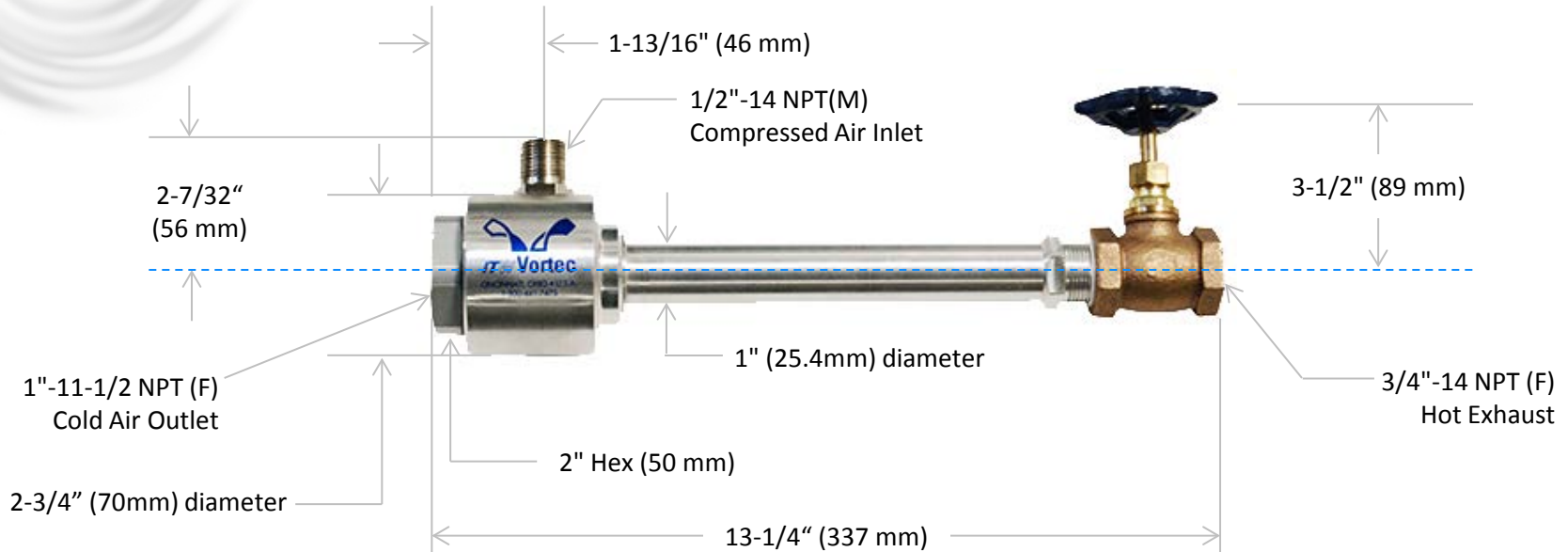


Vortex Tube

Model 328



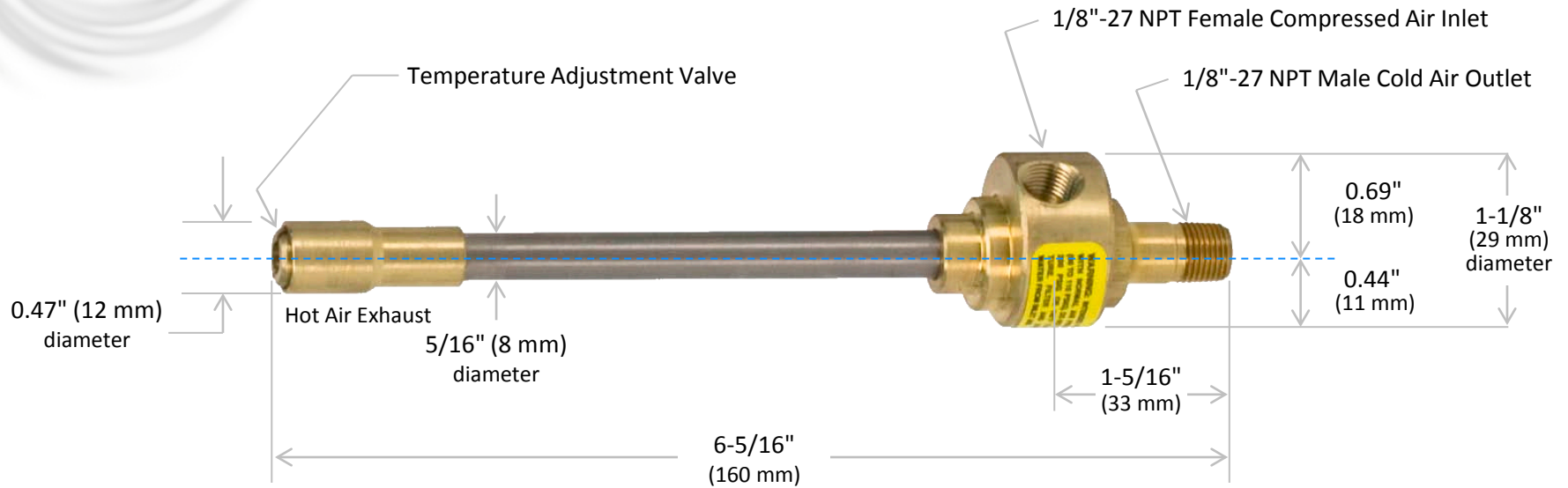
SPECIFICATIONS

Product	Cooling Capacity		Air Consumption		Inlet Size	Cold Outlet Size	Weight	
	BTU/hr	Watts	SCFM	SLPM			lbs	kg
328-50-H	3000	879	50	1415	1/2 inch NPT (M)	1 inch NPT (F)	2.35	1.07
328-75-H	4500	1319	75	2123	1/2 inch NPT (M)	1 inch NPT (F)	2.35	1.07
328-100-H	6000	1758	100	2830	1/2 inch NPT (M)	1 inch NPT (F)	2.35	1.07

Note: Specifications are for 100 psig (6.9 bar) compressed air.

Vortex Tube

Model 106



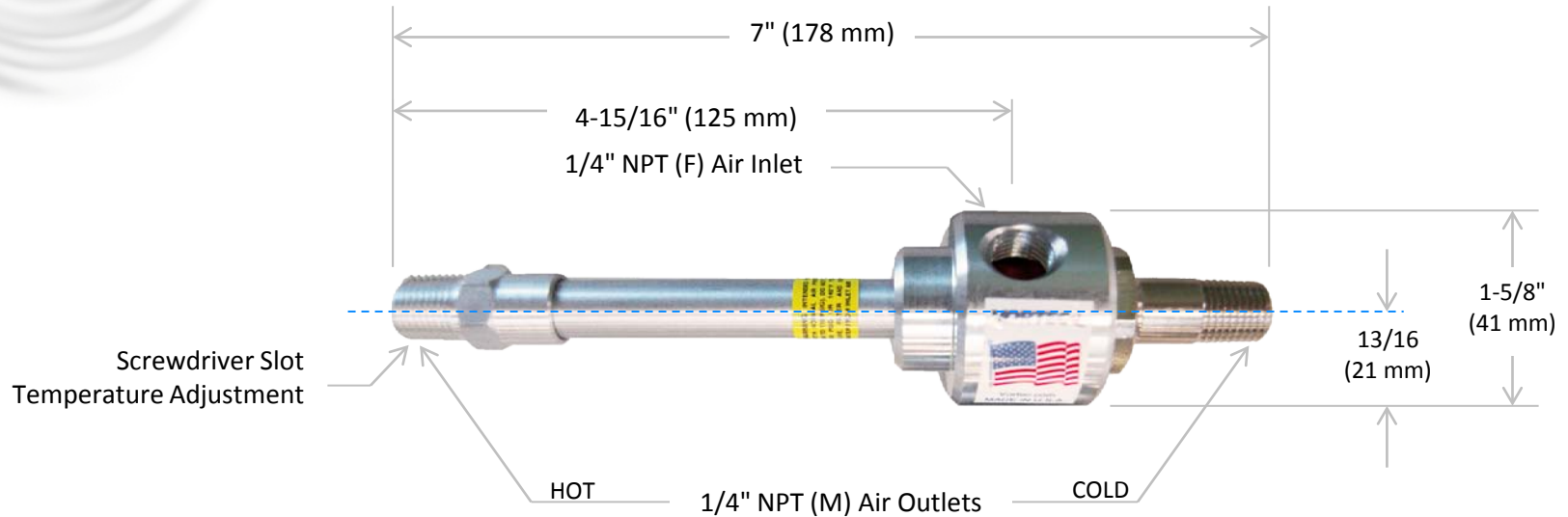
SPECIFICATIONS

Product	Cooling Capacity		Air Consumption		Inlet Size	Outlet Size	Weight	
	BTU/hr	Watts	SCFM	SLPM			lbs	kg
106-2-H	100	29	2	57	1/8 inch NPT (F)	1/8 inch NPT (M)	0.3	0.14
106-4-H	200	59	4	113	1/8 inch NPT (F)	1/8 inch NPT (M)	0.3	0.14
106-8-H	400	117	8	226	1/8 inch NPT (F)	1/8 inch NPT (M)	0.3	0.14

Note: Specifications are for 100 psig (6.9 bar) compressed air.

Vortex Tube

Model 208



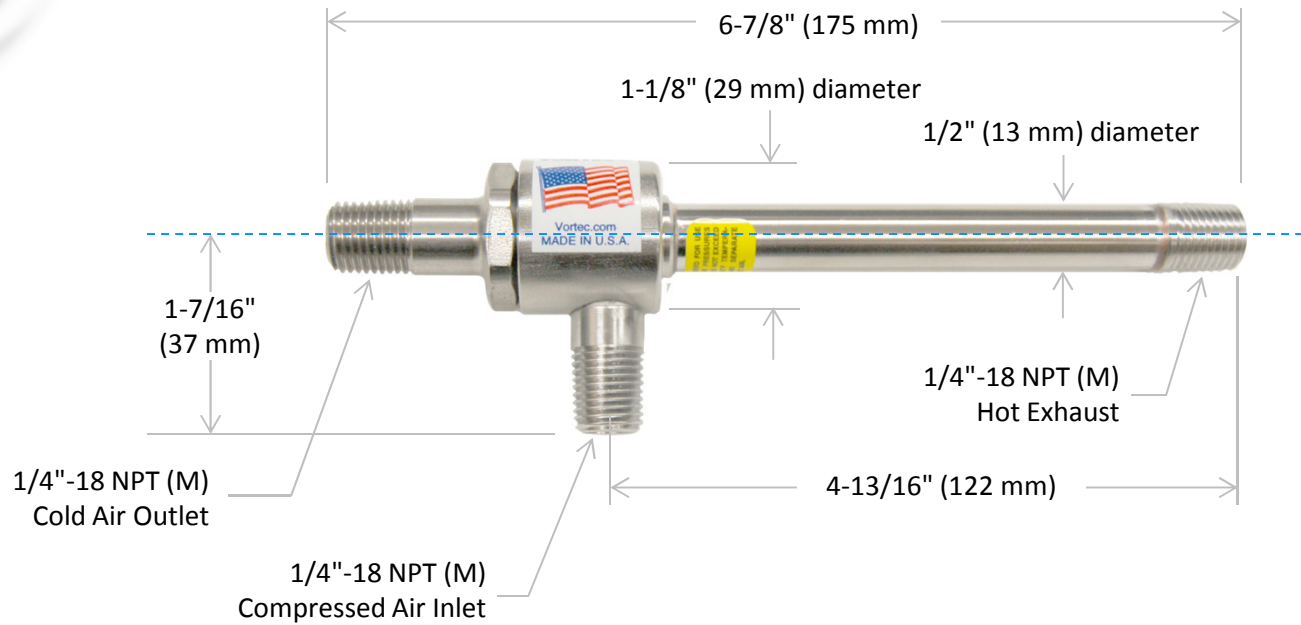
SPECIFICATIONS								
Product	Cooling Capacity		Air Consumption		Inlet Size	Outlet Size	Weight	
	BTU/hr	Watts	SCFM	SLPM			lbs	kg
208-11-H	640	188	11	311	1/4 inch NPT (F)	1/4 inch NPT (M)	0.4	0.18
208-15-H	900	264	15	425	1/4 inch NPT (F)	1/4 inch NPT (M)	0.4	0.18
208-25-H	1500	440	25	708	1/4 inch NPT (F)	1/4 inch NPT (M)	0.4	0.18

Note: Specifications are for 100 psig (6.9 bar) compressed air.



Vortex Tube

Model 208SS



SPECIFICATIONS								
Product	Cooling Capacity		Air Consumption		Inlet Size	Outlet Size	Weight	
	BTU/hr	Watts	SCFM	SLPM			lbs	kg
208-11-HSS	640	188	11	311	1/4 inch NPT (M)	1/4 inch NPT (M)	0.4	0.18
208-15-HSS	900	264	15	425	1/4 inch NPT (M)	1/4 inch NPT (M)	0.4	0.18
208-25-HSS	1500	440	25	708	1/4 inch NPT (M)	1/4 inch NPT (M)	0.4	0.18

Note: Specifications are for 100 psig (6.9 bar) compressed air.

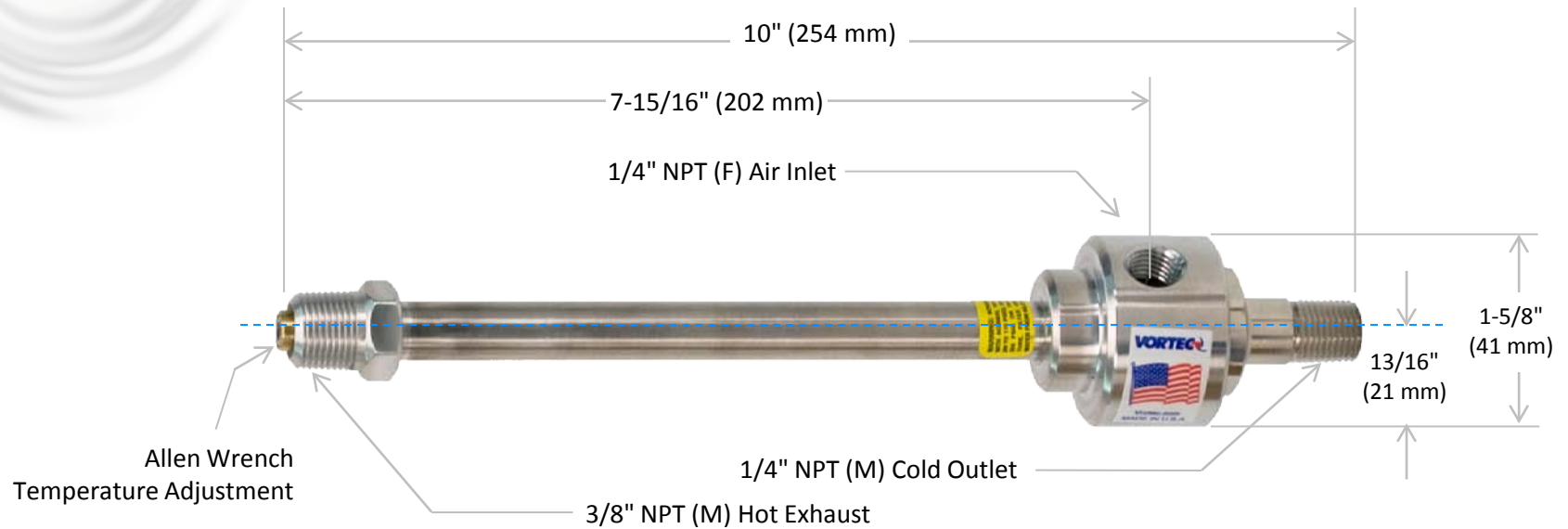


An ITW Company
10125 Carver Road
Cincinnati, OH 45242

1-800-441-7475
sales@vortec.com
www.vortec.com

Vortex Tube

Model 308



SPECIFICATIONS								
Product	Cooling Capacity		Air Consumption		Inlet Size	Outlet Size	Weight	
	BTU/hr	Watts	SCFM	SLPM			lbs	kg
308-35-H	2650	777	35	990	1/4 inch NPT (F)	1/4 inch NPT (M)	0.45	0.2

Note: Specifications are for 100 psig (6.9 bar) compressed air.