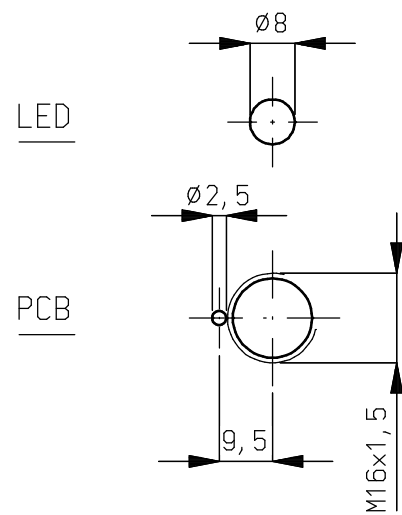
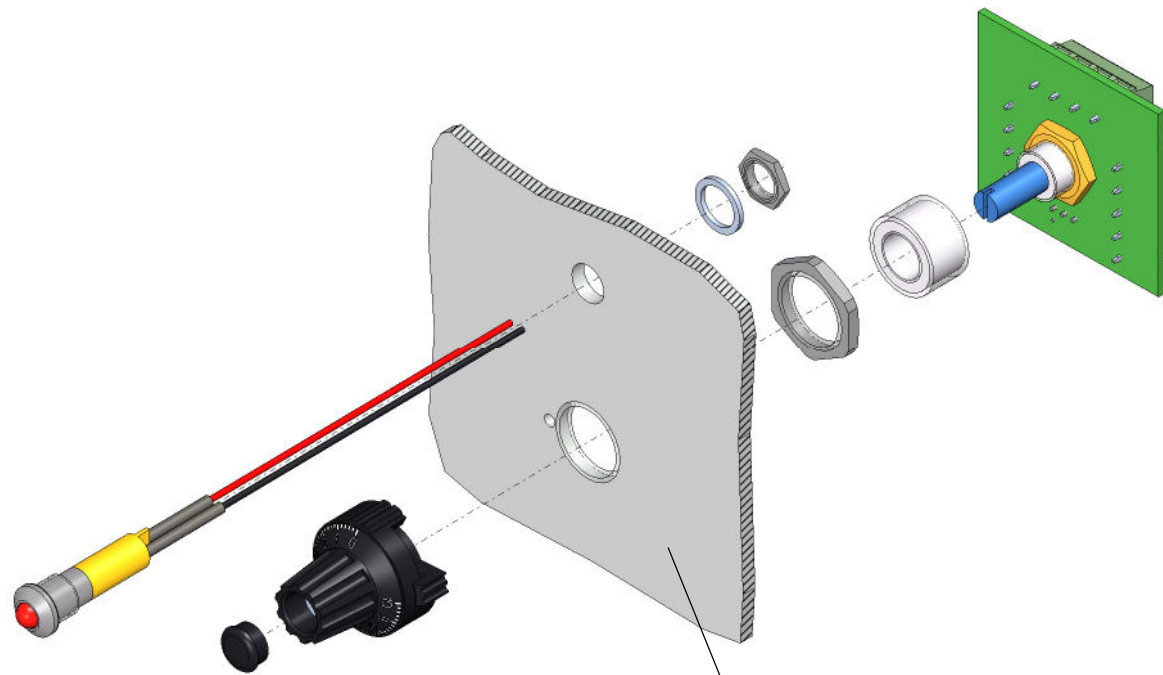


Panel cut-out

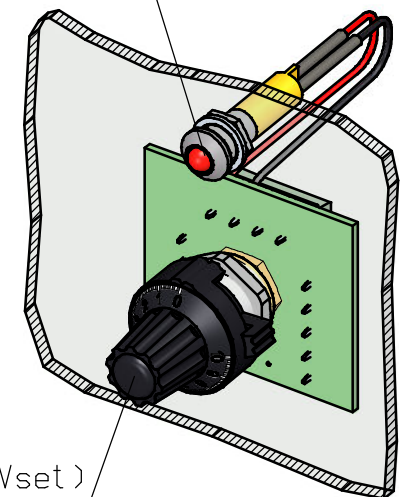


Outside view  
Max. panel thickness 4 mm



Customers machine panel  
with panel cut-out

Red indication LED



High voltage (Vset)  
regulator

 An ITW Company	Name: External Control Kit Perfomaster					Drawn: AB	Part no.: —
	CAD generated NOT updated	Dimensions in mm	Date: 30-6-2011	A3	M: —	ECN2013-021	Check: BWB