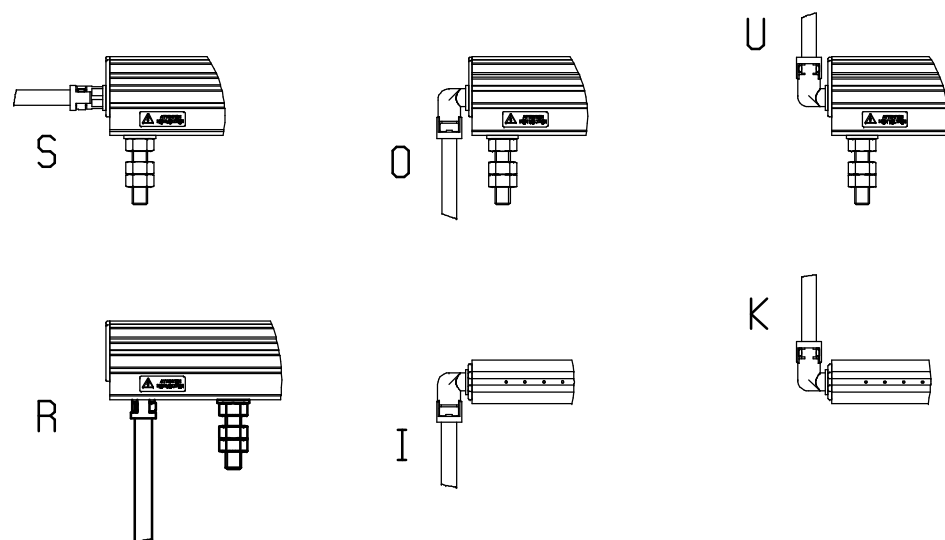
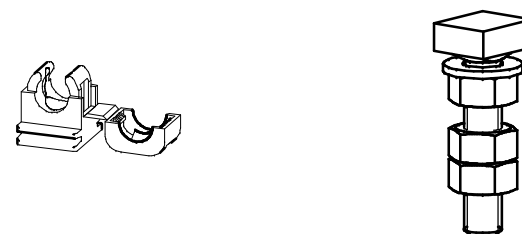


NOTE: The maximum effective length is 1000 mm

### Cable exit options



### Mounting materials included



Cable clamps  
Amount of clamps =  
(cable length(m)x4)-1

Mounting bolts  
Amount of bolts  
see table

Table mounting bolts	
total length	QTY
0 - 0,5m	2
≥0,5 - 1,0m	3

Supply voltage: max. 20 kV DC

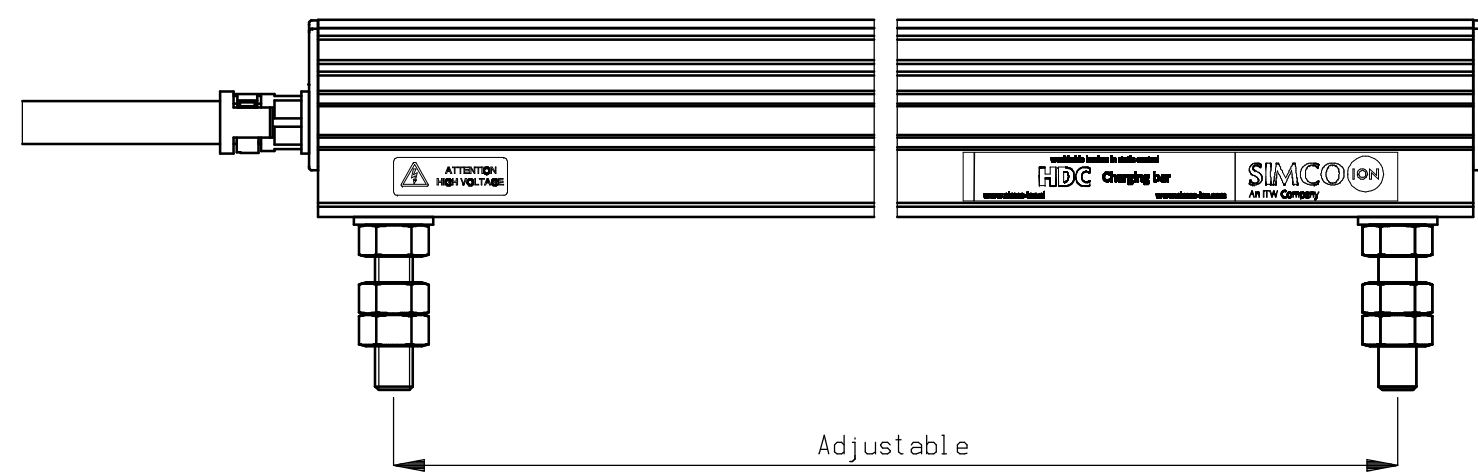
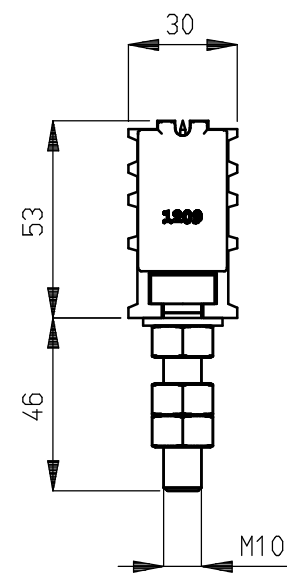
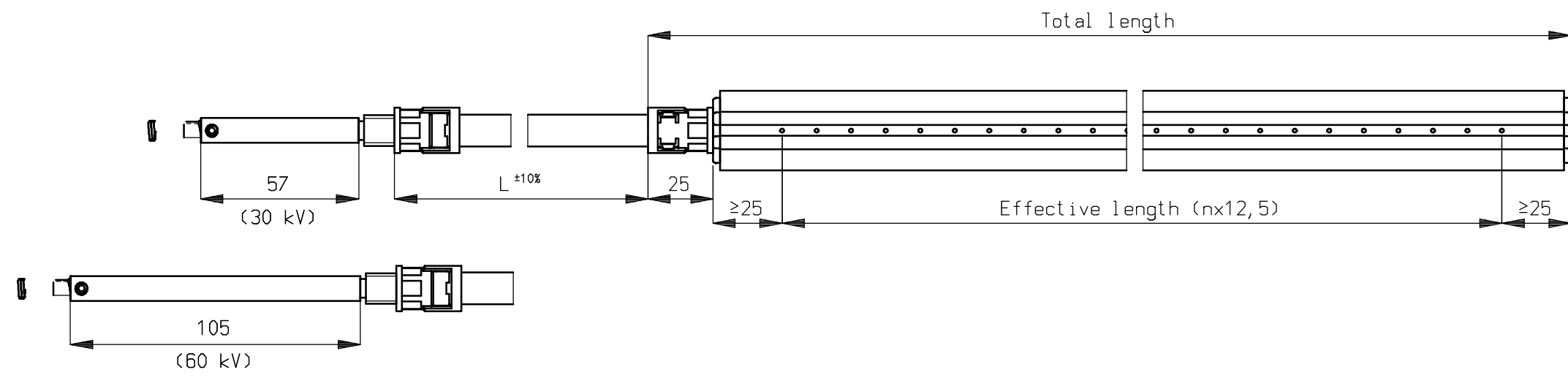
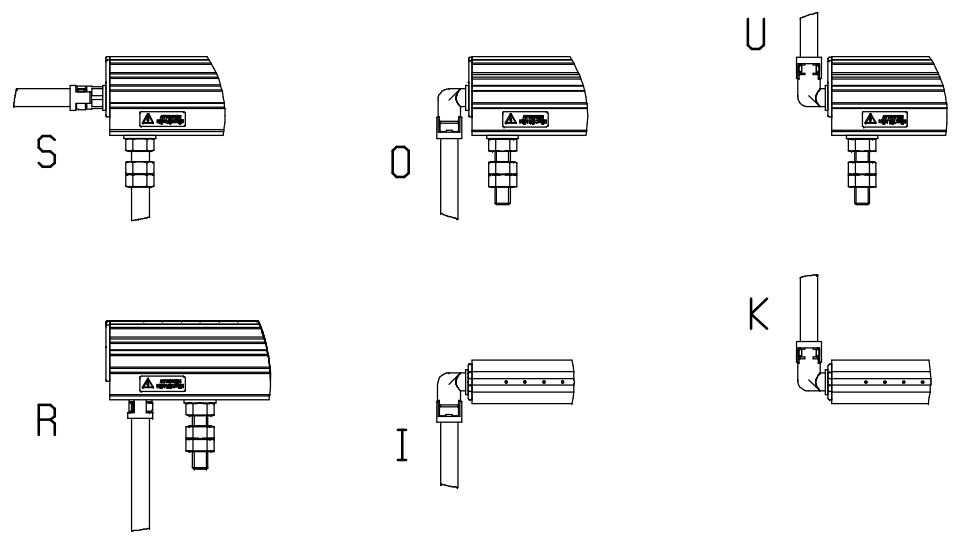


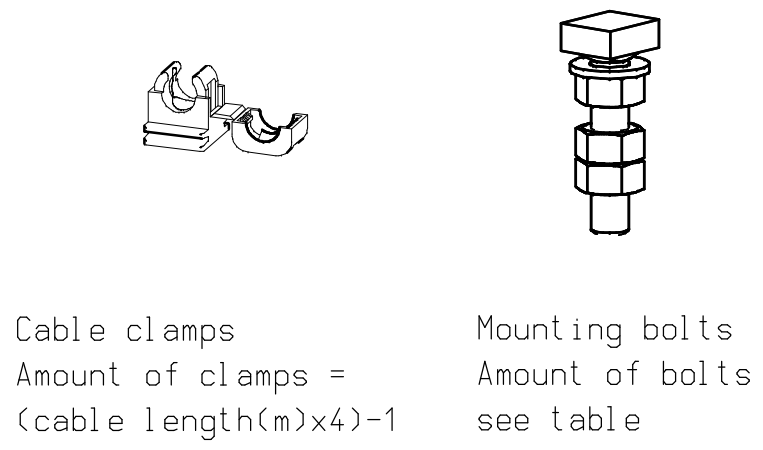
Table mounting bolts	
total length	QTY
0 - 0,5m	2
≥0,5 - 1,0m	3
≥1,0 - 1,5m	4
≥1,5 - 2,0m	5
≥2,0 - 2,5m	6
≥2,5 - 3,0m	7
≥3,0 - 3,5m	8
≥3,5 - 4,0m	9



Cable exit options



Mounting materials included



Supply voltage: max. 60 kV DC

Use the long insulation tube (105 mm) of the connector set for 60 kV applications.

Use the short insulation tube (57 mm) of the connector set for 30 kV applications.

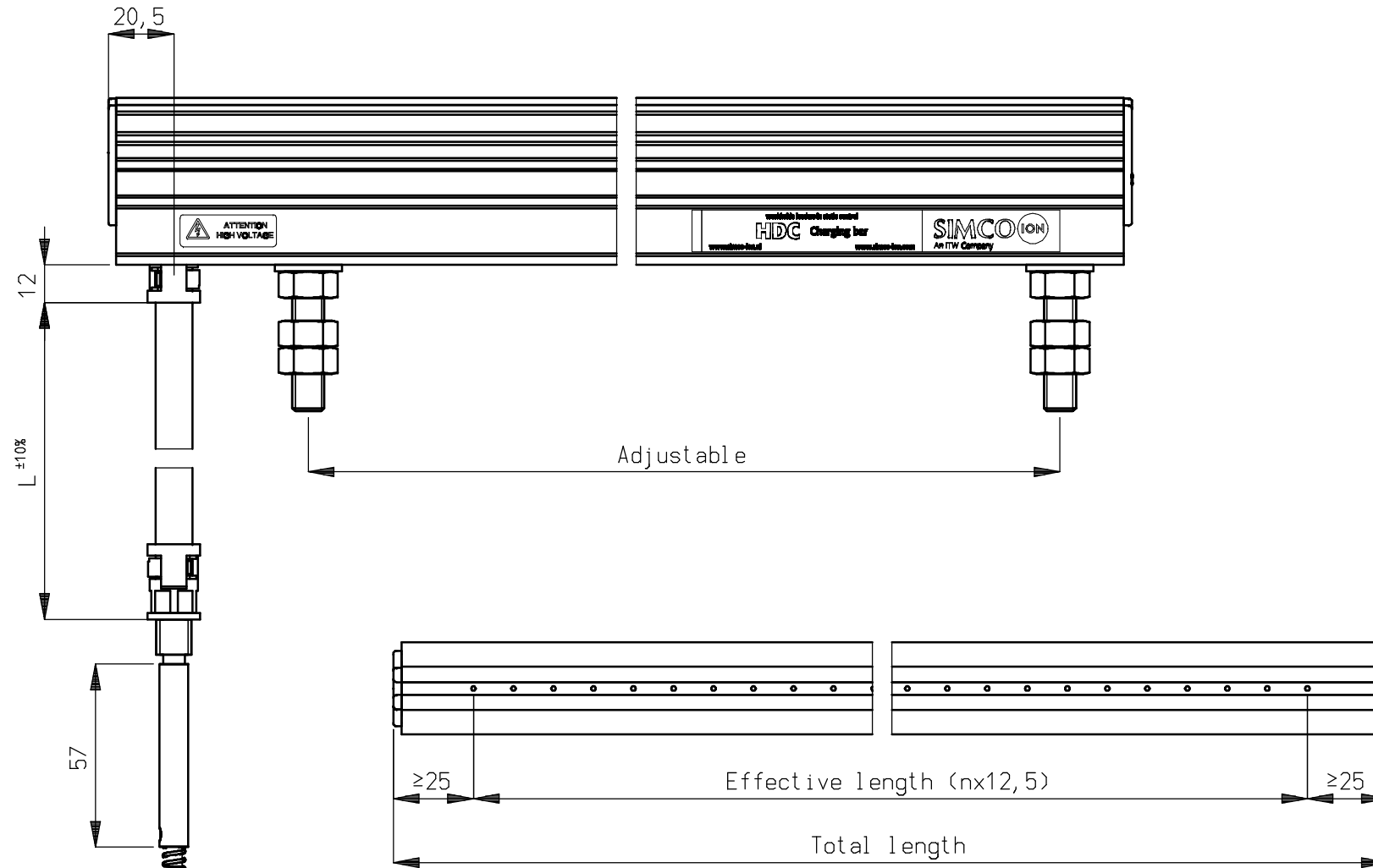
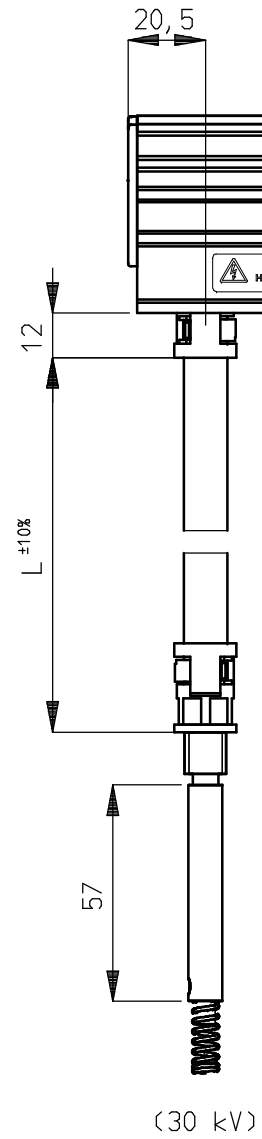
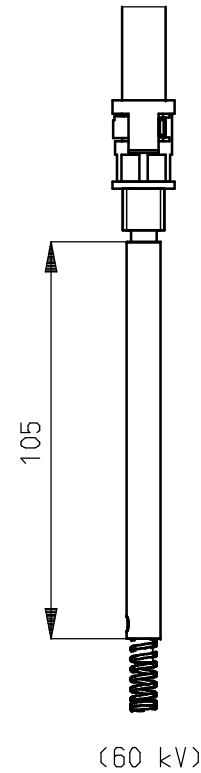
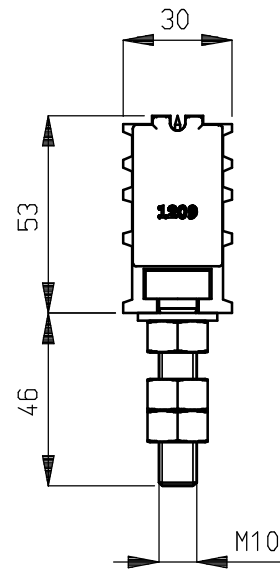
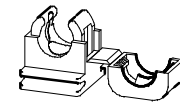
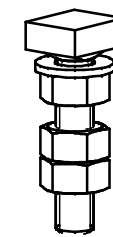


Table mounting bolts	
total length	QTY
0 - 0,5m	2
≥0,5 - 1,0m	3
≥1,0 - 1,5m	4
≥1,5 - 2,0m	5
≥2,0 - 2,5m	6
≥2,5 - 3,0m	7
≥3,0 - 3,5m	8
≥3,5 - 4,0m	9

### Mounting materials included



Cable clamps  
Amount of clamps =  
(cable length(m)x4)-1



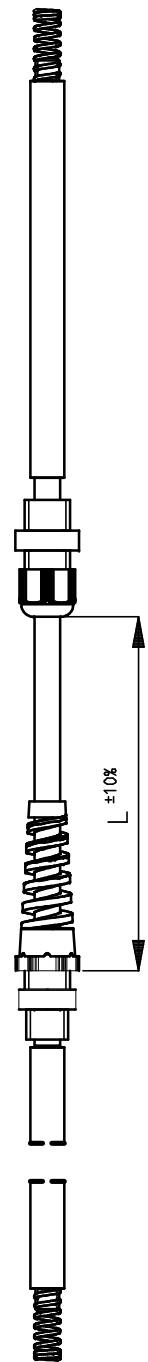
Mounting bolts  
Amount of bolts  
see table

Supply voltage: max. 60 kV DC

Use the long insulation tube (105 mm) of the connector set for 60 kV applications.

Use the short insulation tube (57 mm) of the connector set for 30 kV applications.

3928002608: Flexible HV Cable red Ø6 mm  
 3928002603: HV Cable Silicon white Ø6 mm



Options Cable set

3928002602: Shielded HV Cable

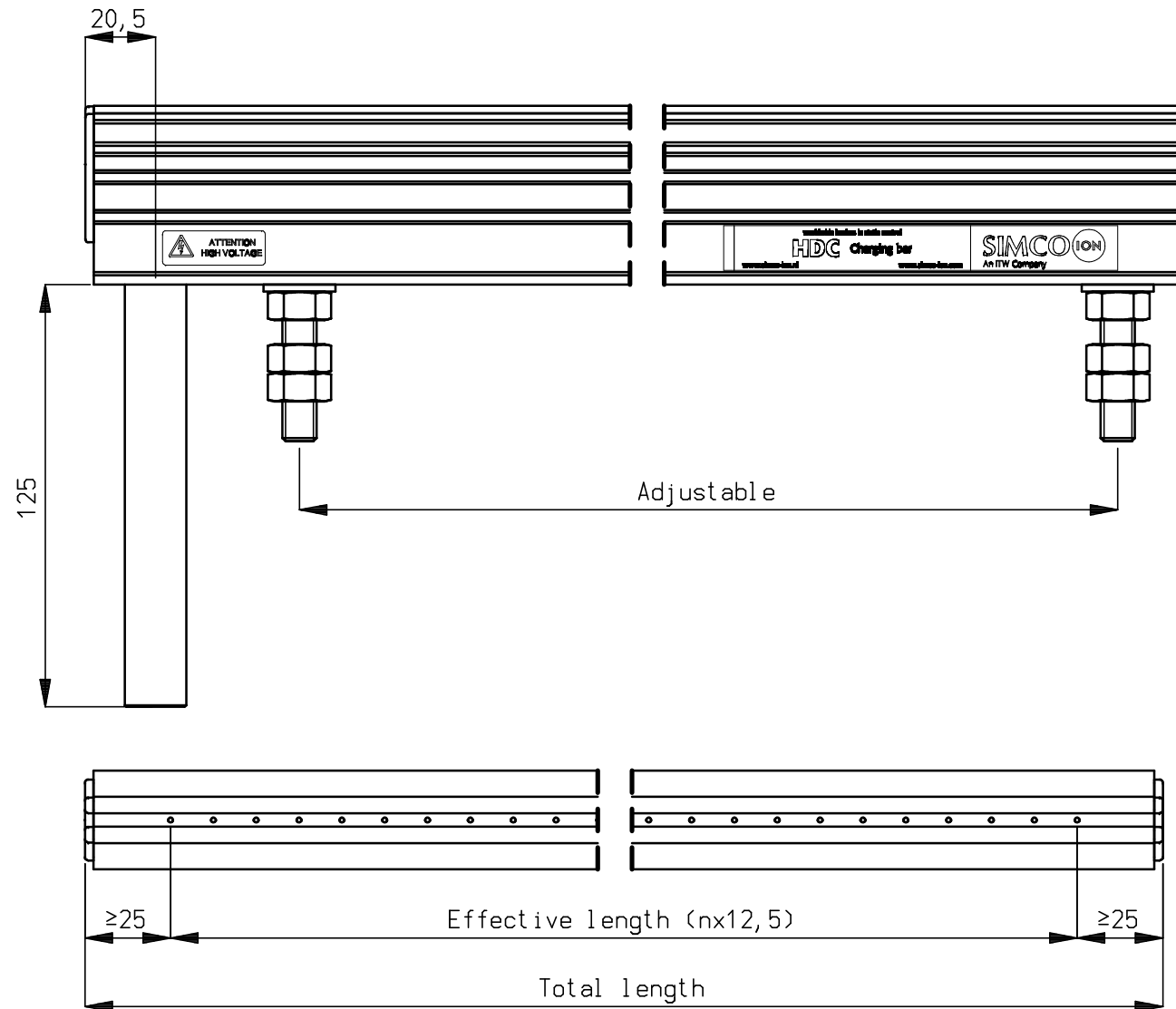
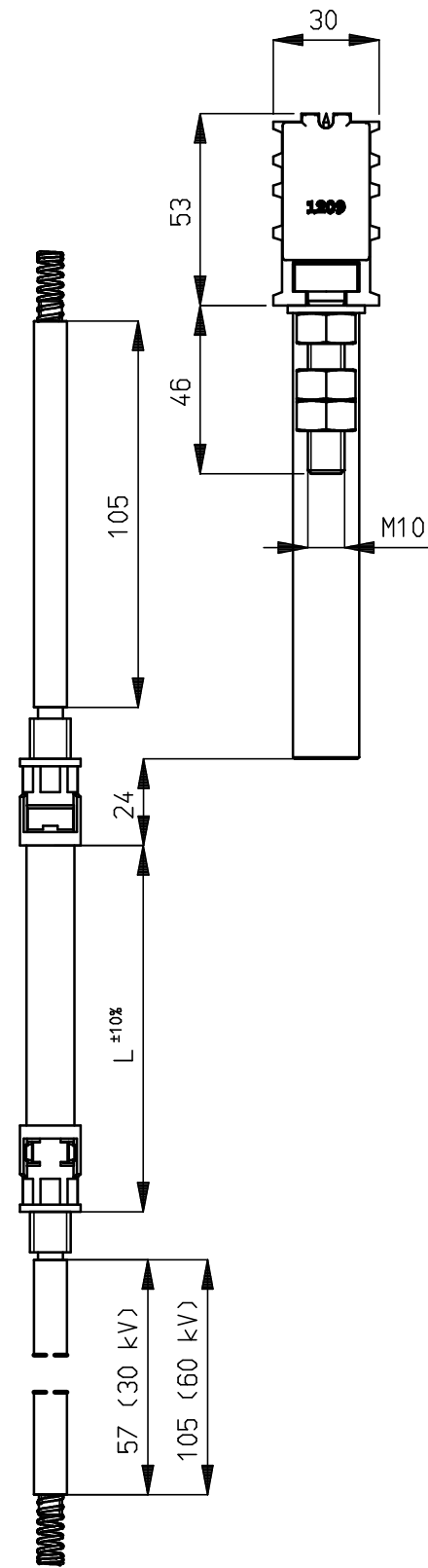


Table mounting bolts	
total length	QTY
0 - 0,5m	2
≥0,5 - 1,0m	3
≥1,0 - 1,5m	4
≥1,5 - 2,0m	5
≥2,0 - 2,5m	6
≥2,5 - 3,0m	7
≥3,0 - 3,5m	8
≥3,5 - 4,0m	9

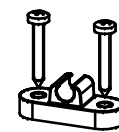
Mounting materials included

For cable (option)

Cable clamps  
 Amount of clamps =  
 (cable length(m)x4)-1

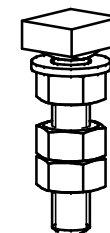


Shielded HV-cable



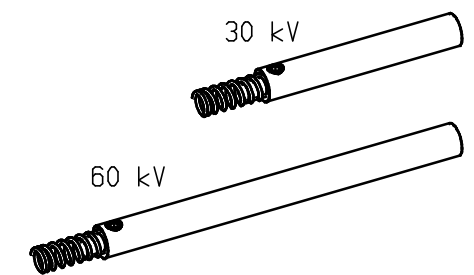
Standard HV-cable

For bar



Mounting bolts  
 Amount of bolts see table

Supply voltage max. 60 kV DC



- Use the short insulation tube (57 mm) for 30 kV applications
- Use the long insulation tube (105 mm) for 60 kV applications



www.simco-ion.nl Tel: +31 (0)573 288333

Name: Charging bar type HDC/HDR connector exit RC

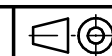
Drawn: AB

Part no.: -

CAD generated NOT updated

Dimensions in mm

Date: 07-05-2001 A3 M: 1:2



ECN2017-008

Check: -

Dwg. no.: 09280220/E