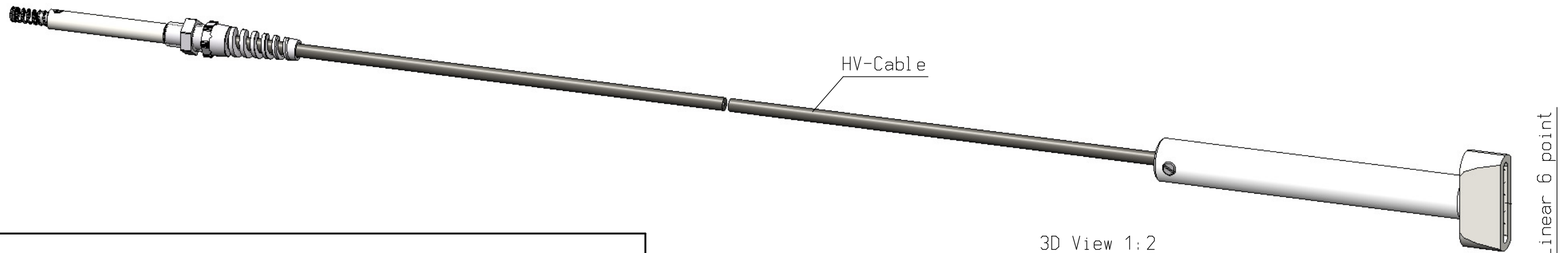
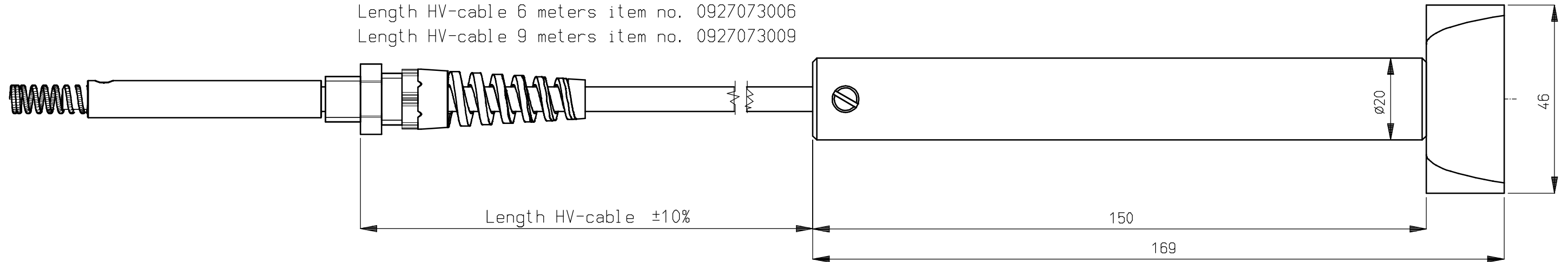


Length HV-cable 3 meters item no. 0927073003
 Length HV-cable 6 meters item no. 0927073006
 Length HV-cable 9 meters item no. 0927073009

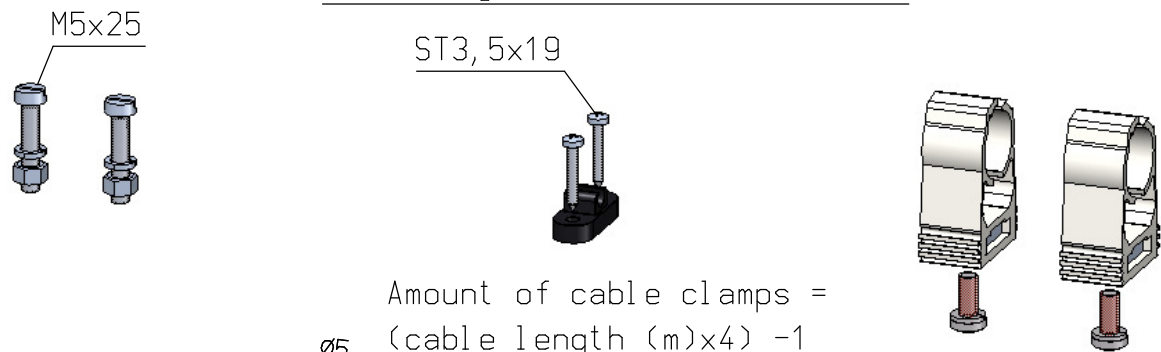


3D View 1:2

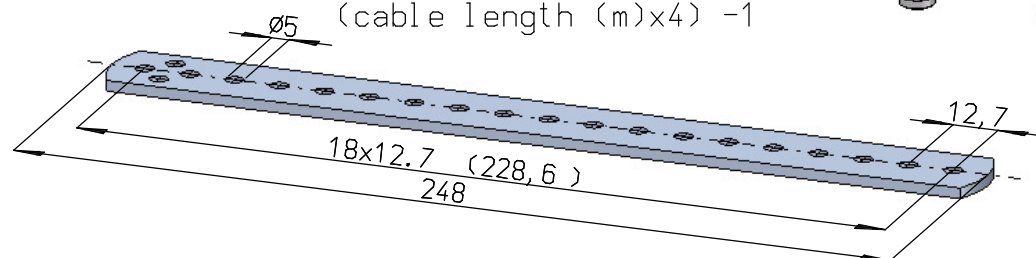
Linear 6 point

Detail head

Mounting materials included

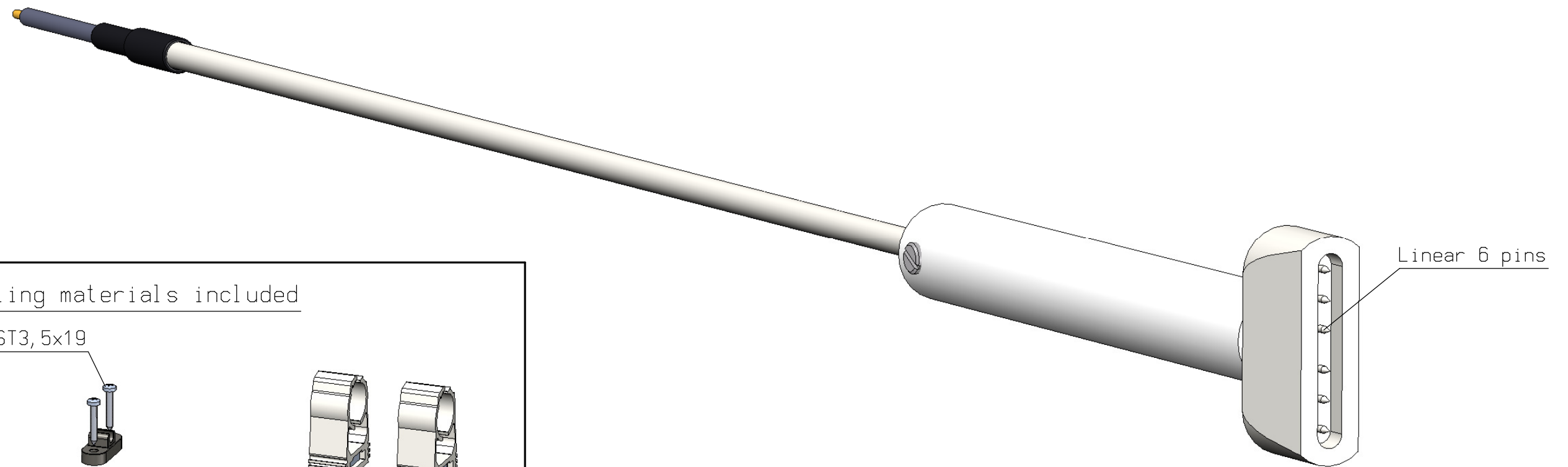
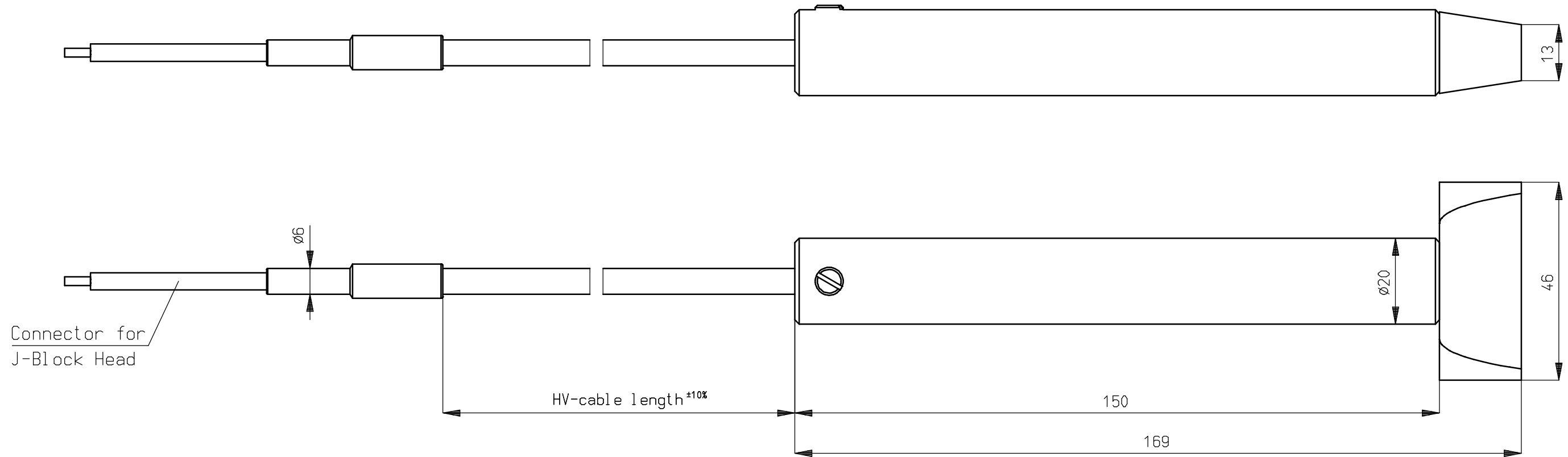


Amount of cable clamps =
 (cable length (m) x 4) - 1



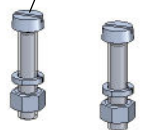
Supply voltage max. 30 kV DC

SIMCO ION An ITW Company www.simco-ion.nl Tel: +31 (0)573 288333		Name: Charging electrode Pinner Linear 6 point			Drawn: MVN	Part no.: -
CAD generated NOT updated	Dimensions in mm	Date: 04-08-2003	A3 M: 1:1	ECN 2012-031	Check: -	Dwg. no.: 09270070/E



Mounting materials included

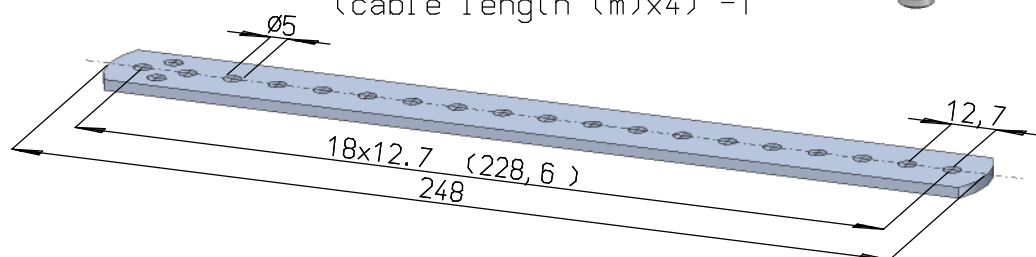
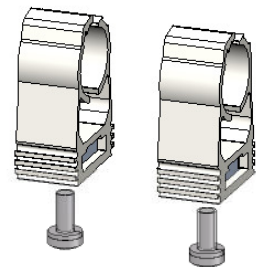
M5x25



ST3, 5x19



Amount of cable clamps =
(cable length (m) x 4) - 1



Supply voltage max. 20 kV DC

SIMCO ION
An ITW Company

www.simco-ion.nl Tel: +31 (0)573 288333

Name: **Pinner Linear 6 Point-JBH (connector for J-Block Head)**

Drawn: AB

Part no.: -

CAD generated NOT updated

Dimensions in mm

Date: 27-8-2015

A3

M: -

ECN-

ECN-

ECN-

ECN-

Check: -

Dwg. no.: **09270670**