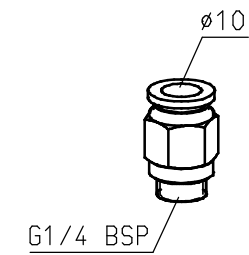


Option: Power Supplies and connectors see drawing 15246000



Standard air connection

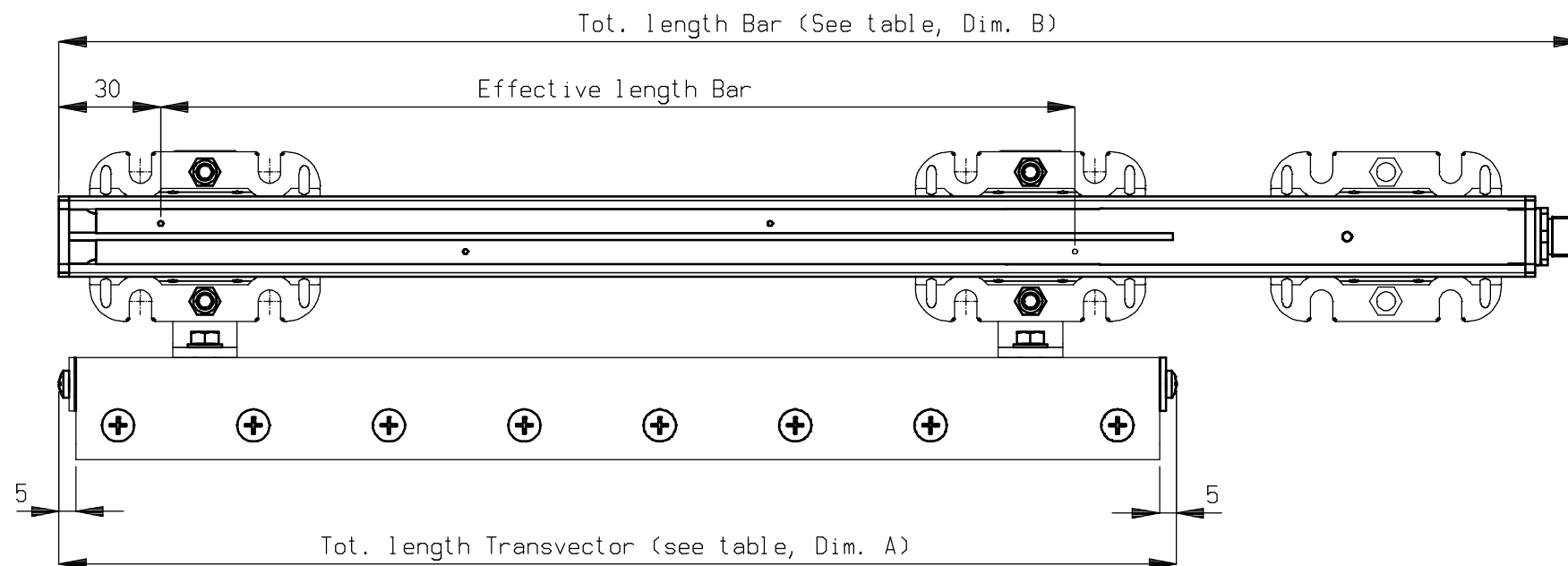
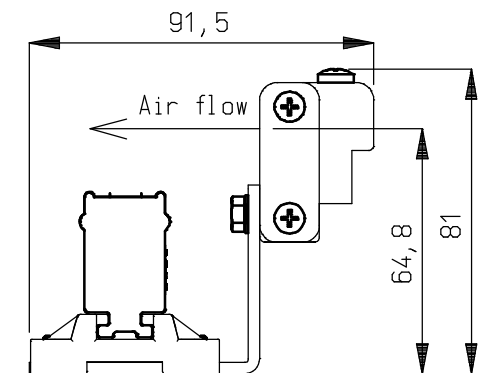
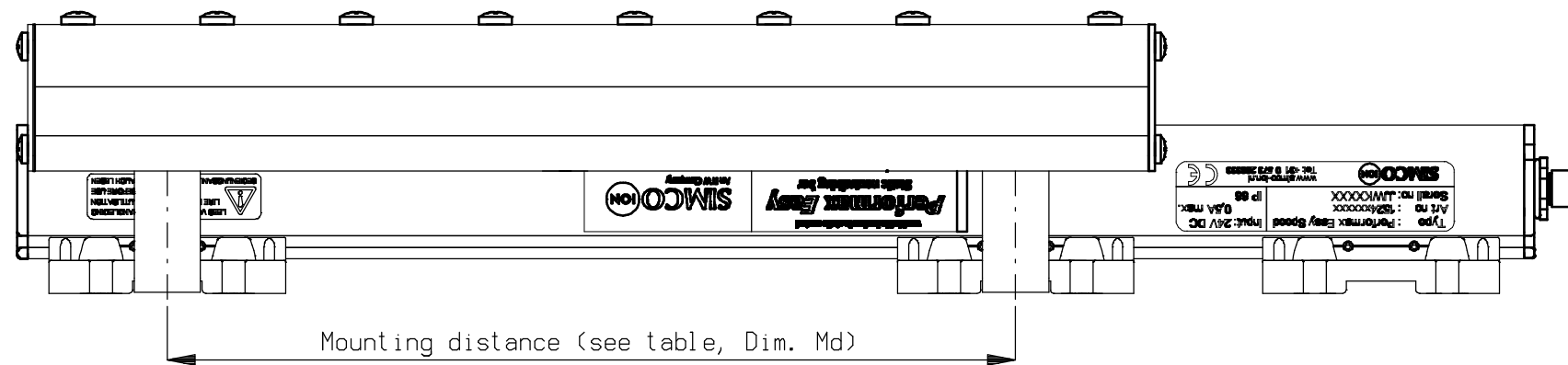
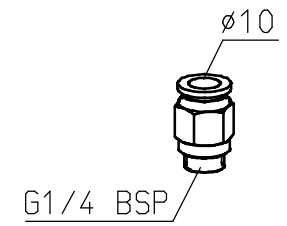
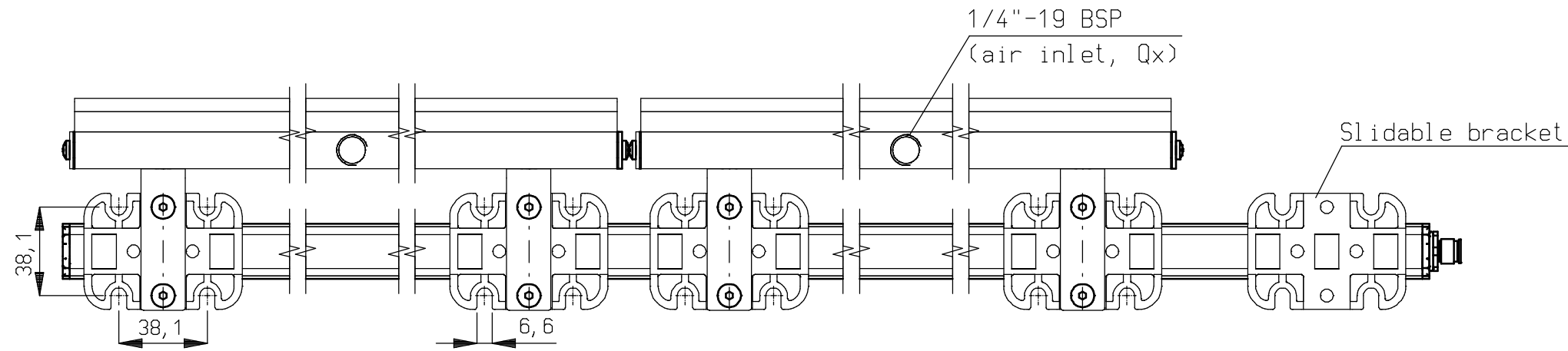


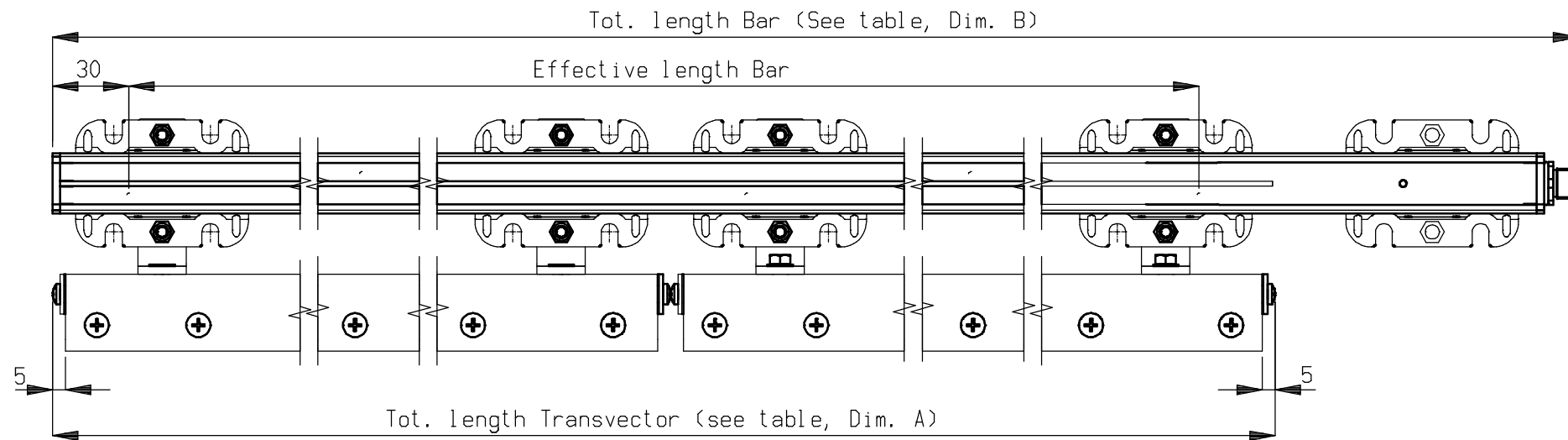
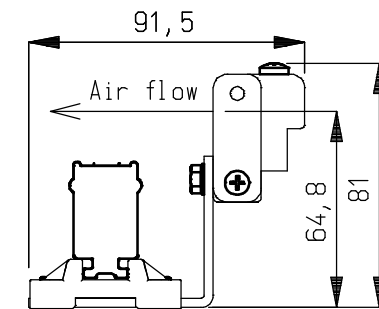
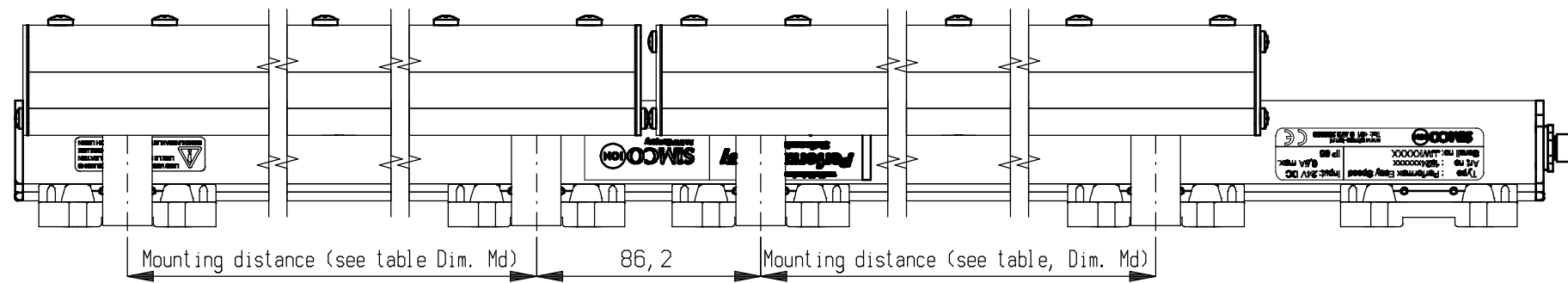
Table					
Transvector	Dim. A	Dim. B	Dim. Md	Q	Bracket
3"	86,2	270	-	1	1
6"	162,4	330	76,2	1	2
12"	314,8	450	228,6	1	2
18"	467,2	630	381,0	2	2
24"	619,6	810	533,4	2	2

<p>SIMCO ION An ITW Company www.simco-ion.nl Tel: +31 (0)573 288333</p>	Name: Performax Easy with Transvector 3" - 24"				Drawn: MVN	Part no.: -
	CAD generated NOT updated	Dimensions in mm	Date: 04-07-2011	A3 M: 1:1	ECN2012-018	Check: -

Option: Power Supplies and connectors
see drawing 15246000



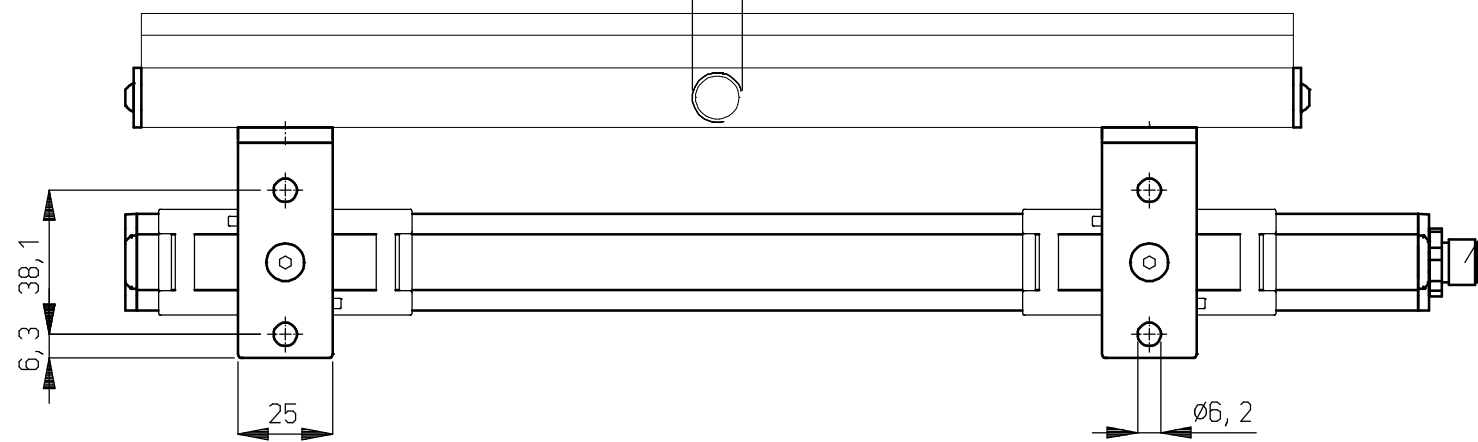
Standard air connection



Mounting distance	
Transvector	Md
12"	228,6
18"	381,0
24"	533,4

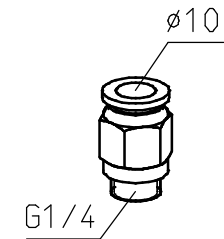
Table Total length				
Transvector	Dim. A	Dim. B	Q	Bracket
12+18=30"	782,0	900	3	4
18+18=36"	934,4	1080	4	4
18+24=42"	1086,8	1260	4	4
24+24=48"	1239,2	1350	4	4
18+18+18=54"	1401,6	1530	6	6
18+18+24=60"	1554,0	1710	6	6
18+24+24=66"	1706,4	1890	6	6
24+24+24=72"	1858,8	1980	6	6

G1/4 (Compressed air inlet Qx)

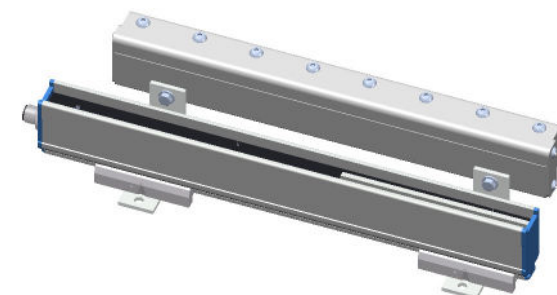
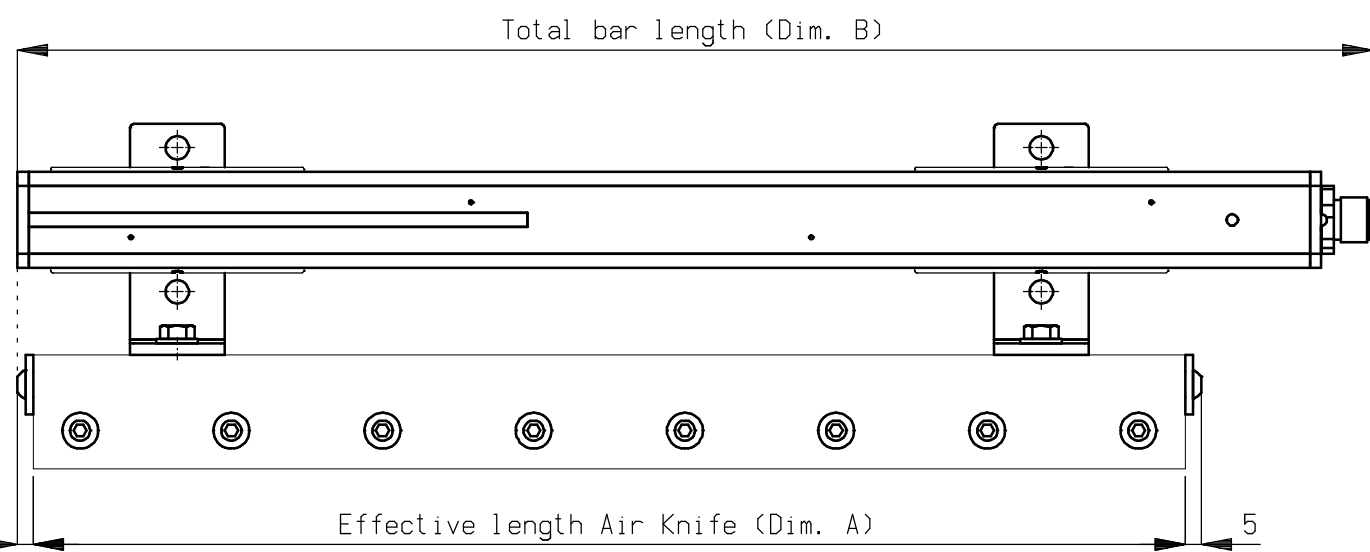
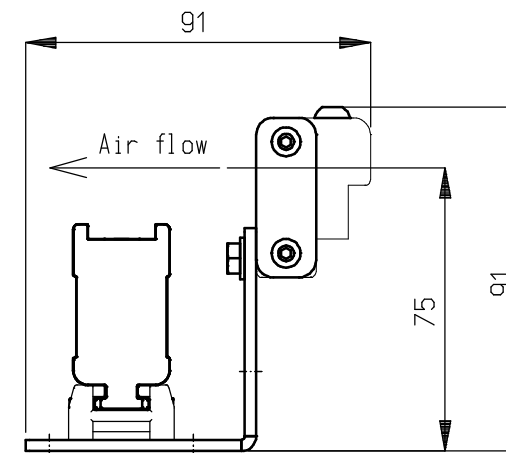
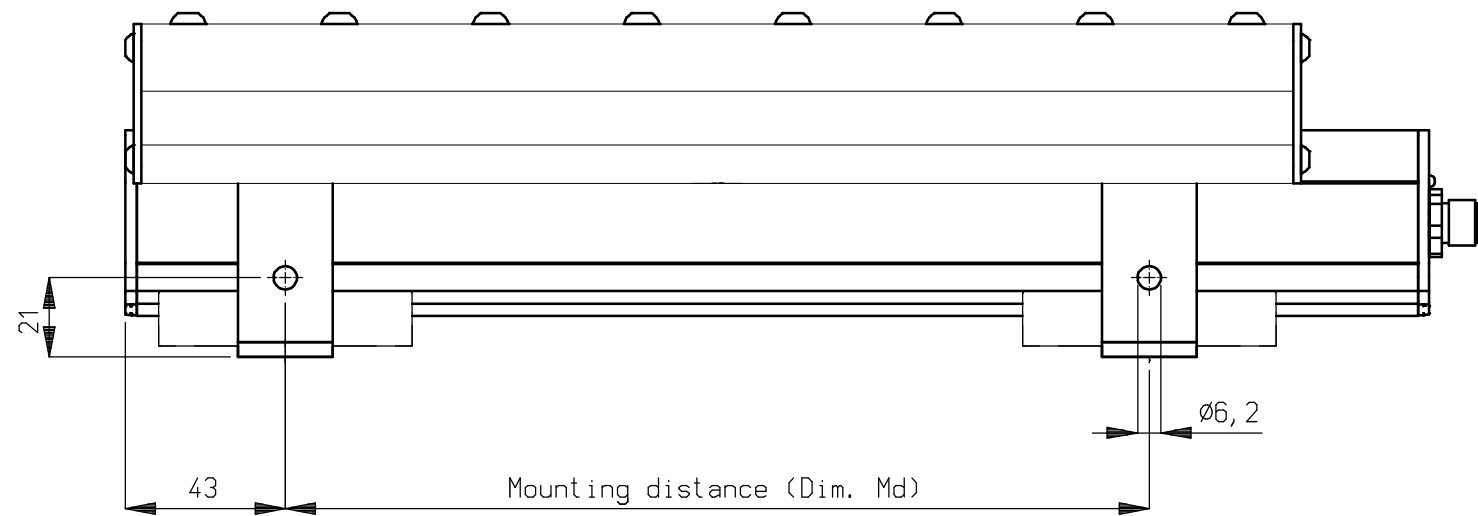


CABLE END with
M12 male 5 pole
connector

- For overview of connections and power
supplies see drawing 15310100

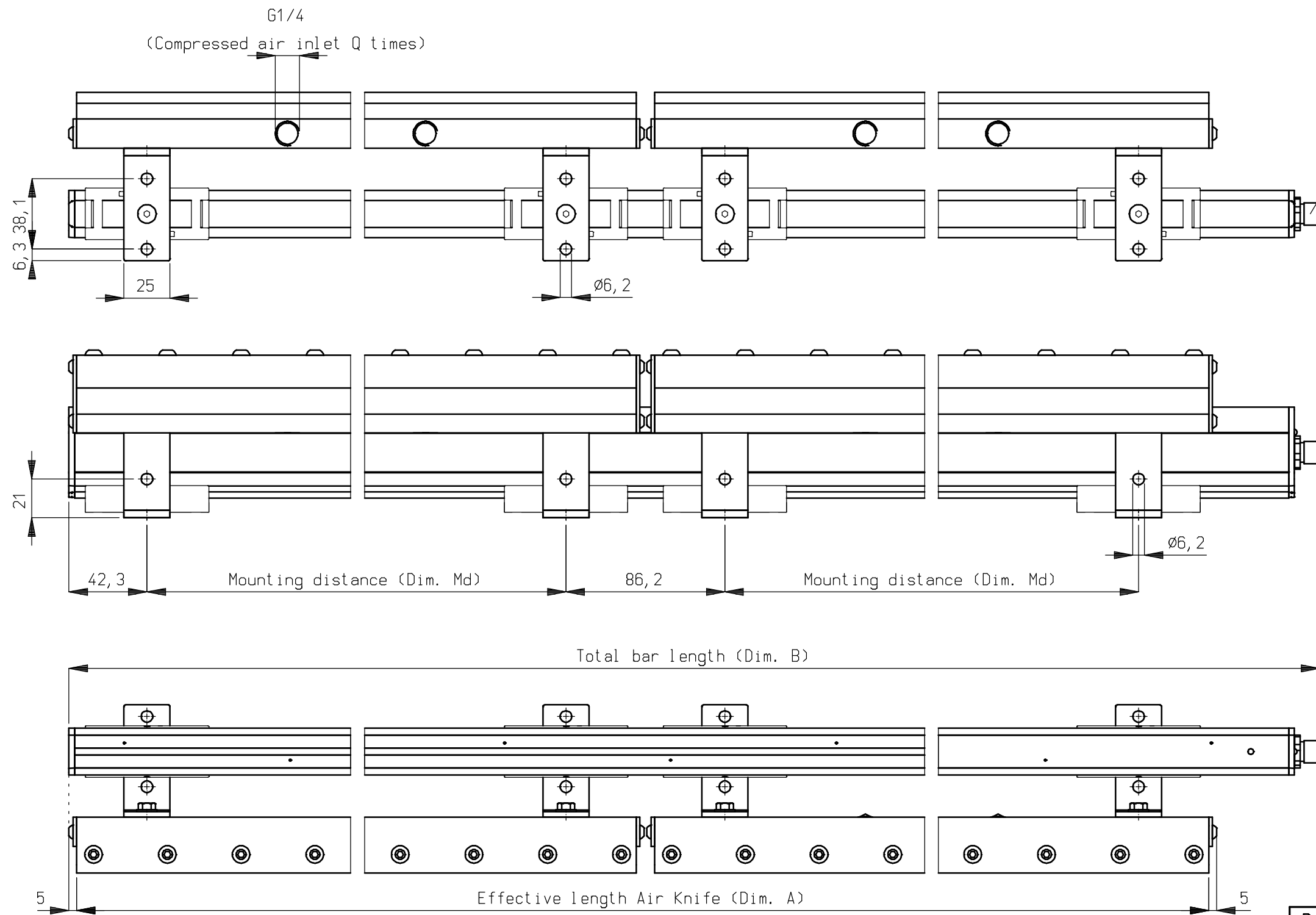


Standard air connection (Qx)

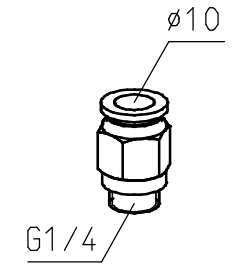


Dimensions table				
Air Knife	Dim. A	Dim. B	Dim. Md	Q
6"	152,4	300	76,2	1
12"	304,8	360	228,6	1
18"	457,2	540	381,0	2
24"	609,6	720	533,4	2

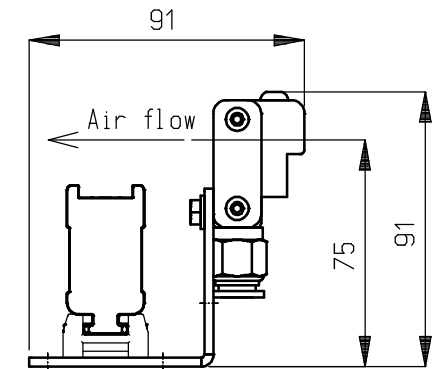
<p>SIMCO ION An ITW Company www.simco-ion.nl Tel: +31 (0)573 288333</p>	Name: Performax IQ Easy with Air Knife 6" - 24"				Drawn: AB	Part no.: -
	CAD generated NOT updated	Dimensions in mm	Date: 24-2-2015	A3 M: 1:2	ECN-	Check: -



CABLE END with
M12 male 5 pole
connector



Standard air connection (Qx)



Mounting distances	
Air Knife	Md
12"	228,6
18"	381,0
24"	533,4

Dimensions table				
Air Knife *	Dim. A	Dim. B	Brackets	Q
30" (12+18)	772,0	810	4	3
36" (18+18)	924,4	990	4	4
42" (18+24)	1076,8	1170	4	4
48" (24+24)	1229,2	1260	4	4
54" (18+18+18)	1391,6	1440	6	6
60" (18+18+24)	1544,0	1620	6	6
66" (18+24+24)	1696,4	1800	6	6
72" (24+24+24)	1848,8	1890	6	6

NOTES:

- * The longest Air Knife is placed at the CABLE END of the bar
- For overview of connections and power supplies see drawing 15310100

