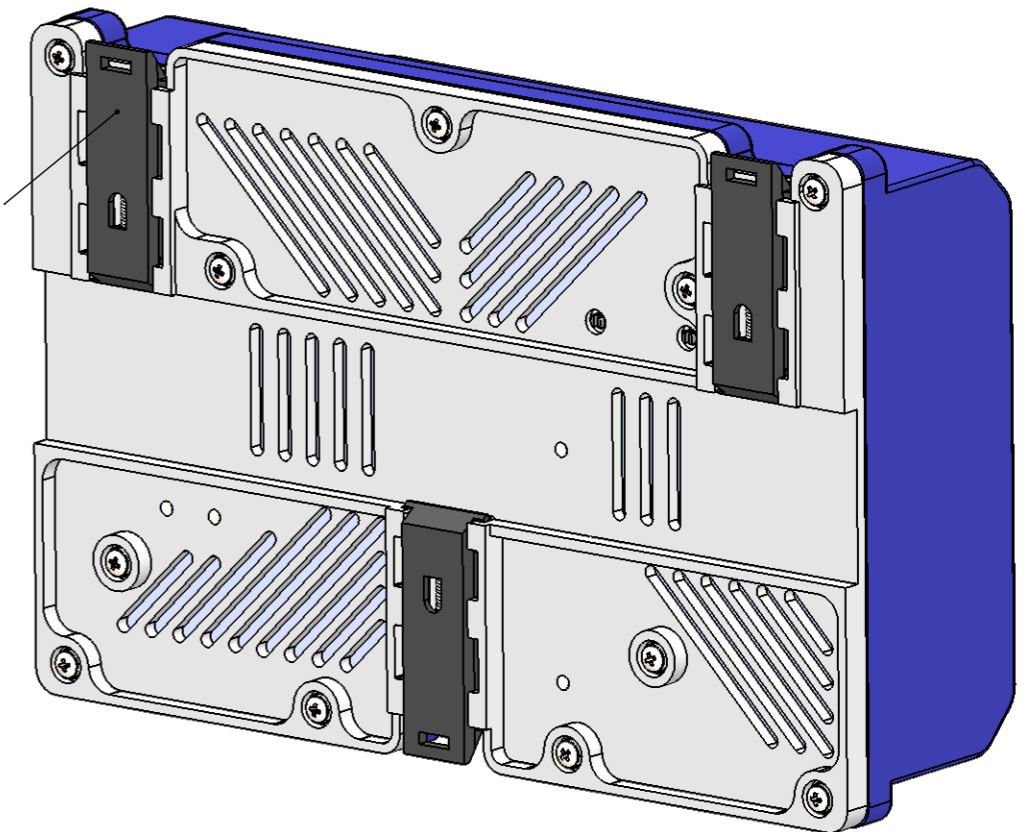
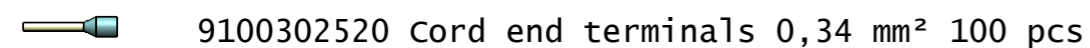
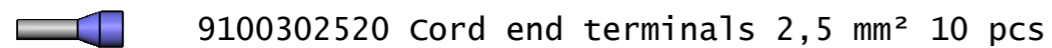
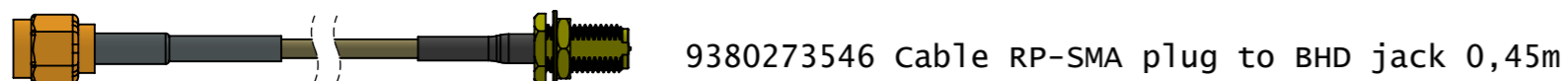


3 clips for DIN-rail mounting



Included:



Name: Smart SLC IQ 4.0

Drawn: RJ

Part no.: 103400xxxx

CAD GENERATED  
NOT AUTO UPDATED

Dimensions  
in mm

Date: 20-6-2023

A3

M:1:1.5



ECN-1034

Check: HS

Dwg. no.: 10340000/B

1/1