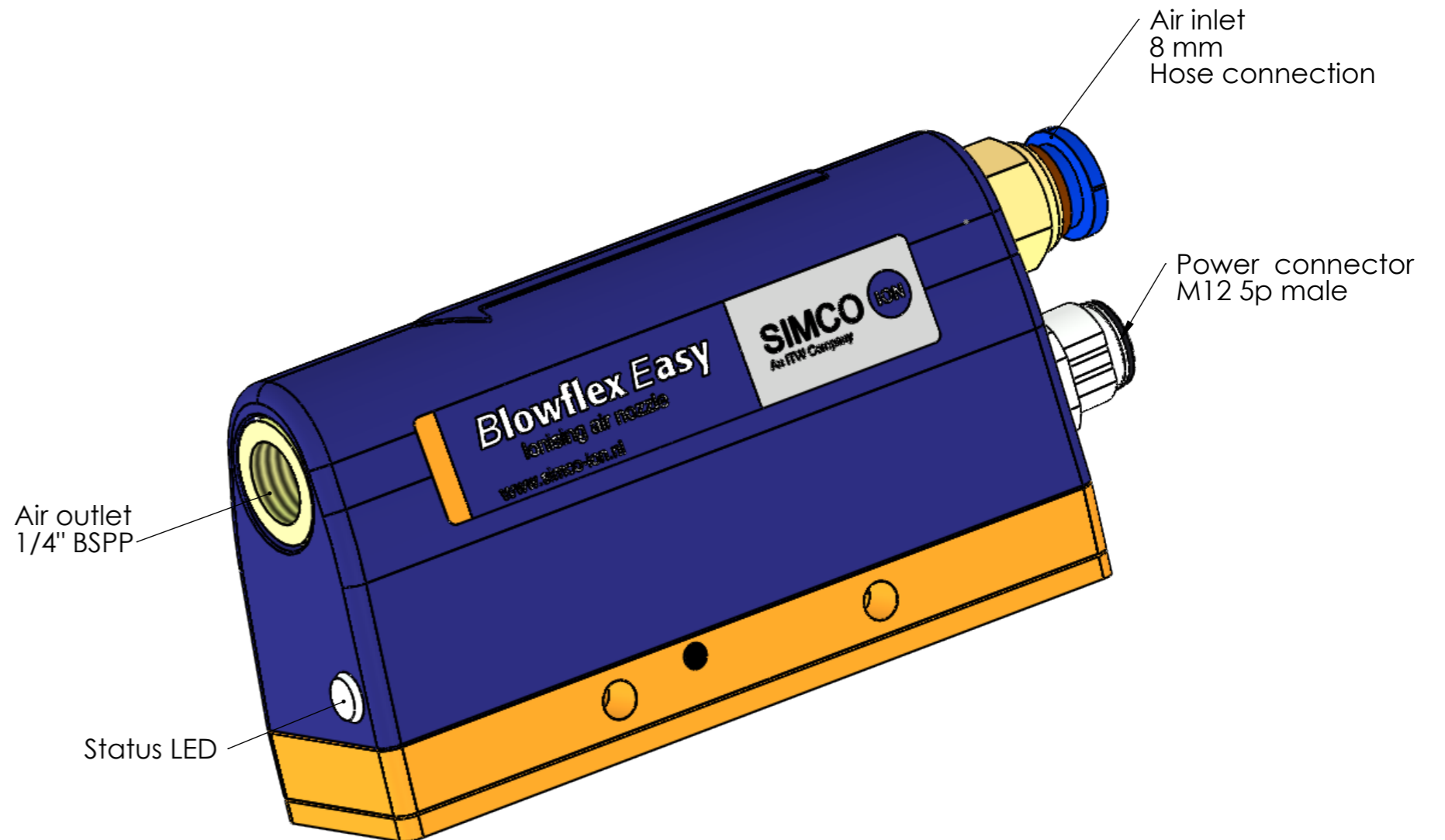


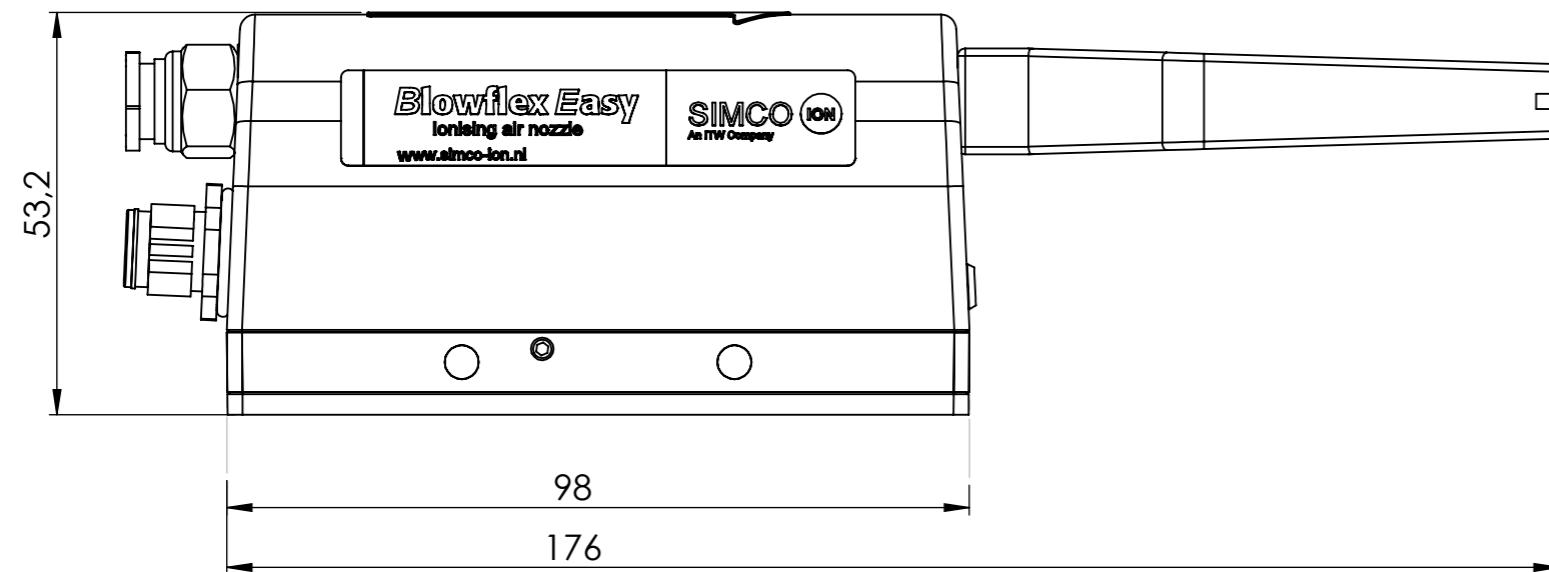
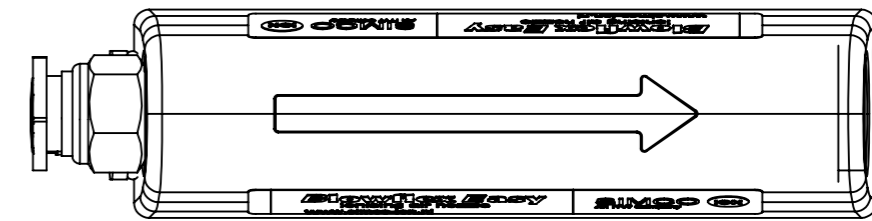
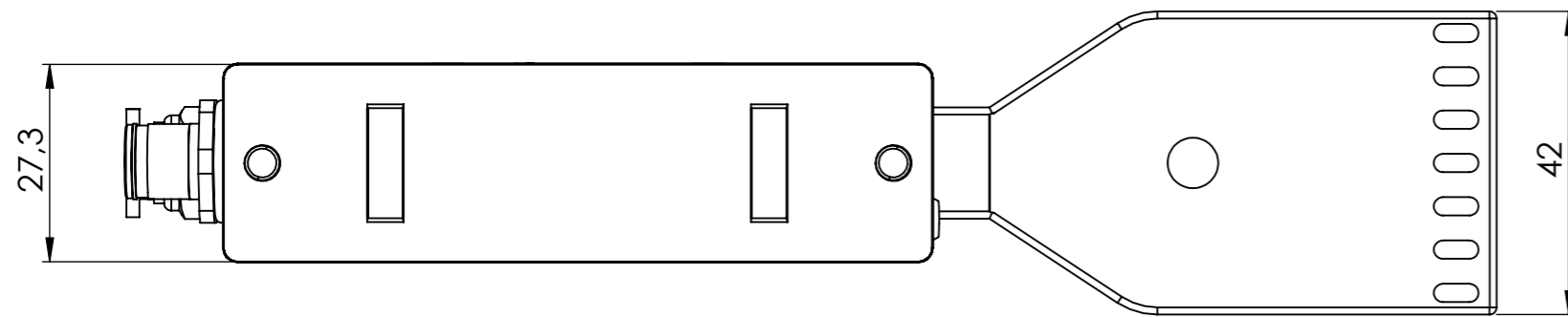
Simco offers Blowflex Easy devices with nozzles for a wide range of applications. If there is no suitable device, you can assemble your own combination of Blowflex Easy Basic and a suitable nozzle. The Blowflex Easy Basic has a 1/4" BSP air outlet.

Drawing 16160010 shows all mounting variations of the Blowflex Easy.

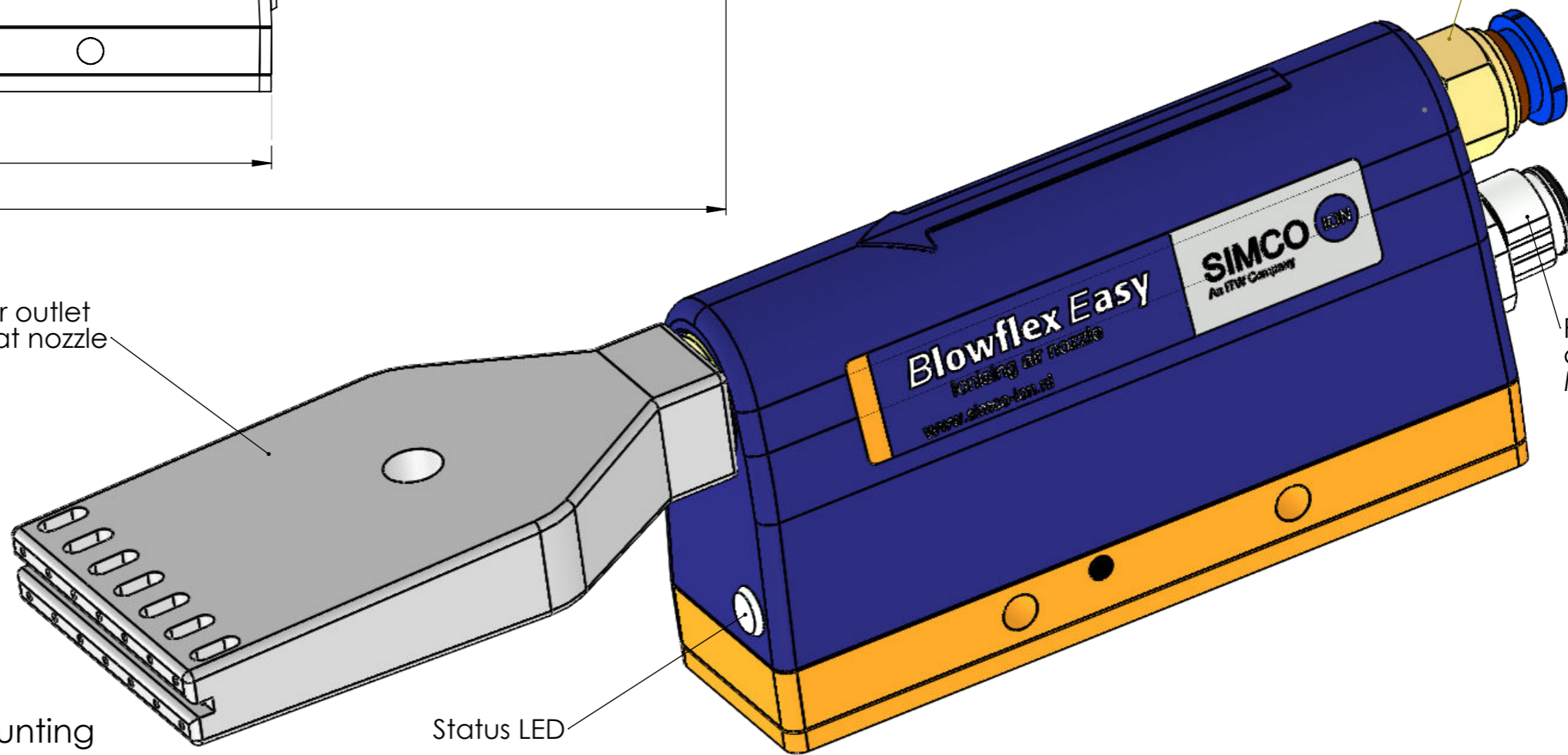
Drawing 16160020 shows the power connection variations.



 An ITW Company	Name: Blowflex Easy Basic						Drawn: RJ	Part no.: 1616000000	
	CAD GENERATED NOT AUTO UPDATED	Dimensions in mm	Date: 24-12-2020	A3	M: 1:1		ECN-1616	Check: HS	Dwg. no.: 16160000/-



Air outlet
Flat nozzle



Air Inlet
8 mm
Hose connection

Power connector
M12 5p male

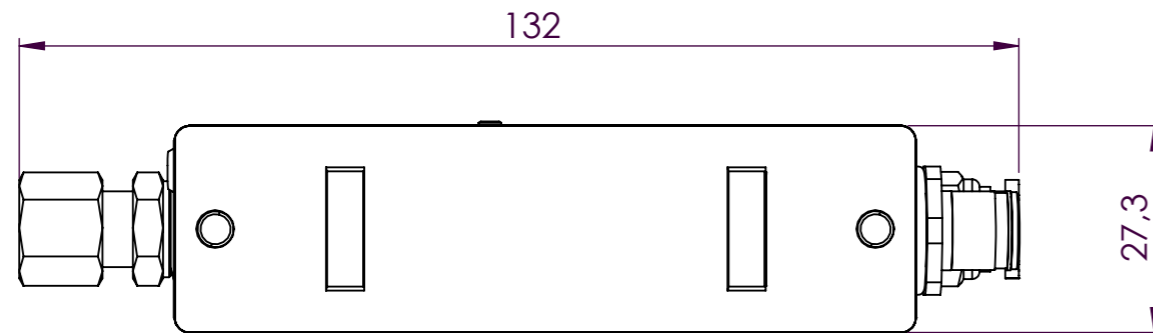
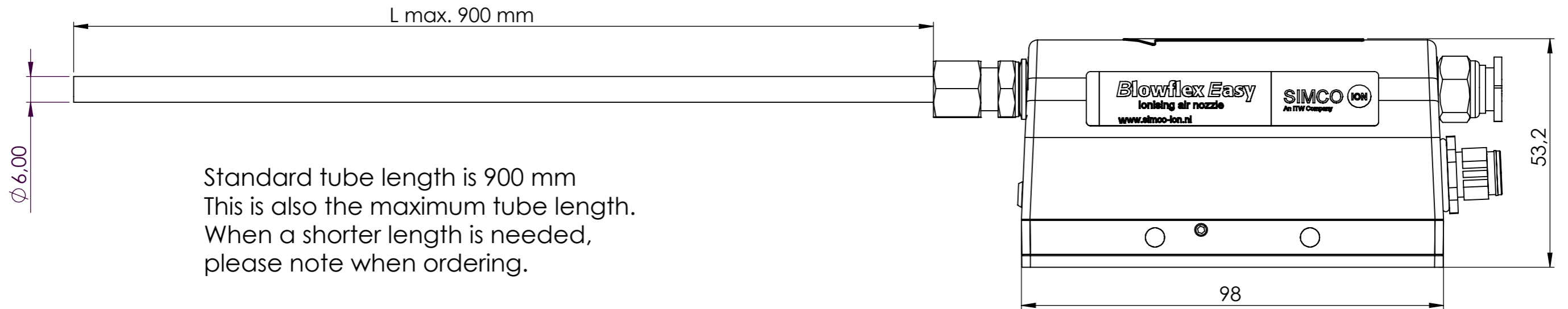
Status LED

Drawing 16160010 shows all mounting variations of the Blowflex Easy.

Drawing 16160020 shows the power connection variations.

 An ITW Company	Name: Blowflex Easy Flat nozzle					Drawn: RJ	Part no.: 1616000003	
	CAD GENERATED NOT AUTO UPDATED	Dimensions in mm	Date: 30-12-2020	A3	M: 1:1	ECN-1616	Check: HS	Dwg. no.: 16160003/-

WWW.SIMCO-ION.NL TEL: +31 (0)573 288333



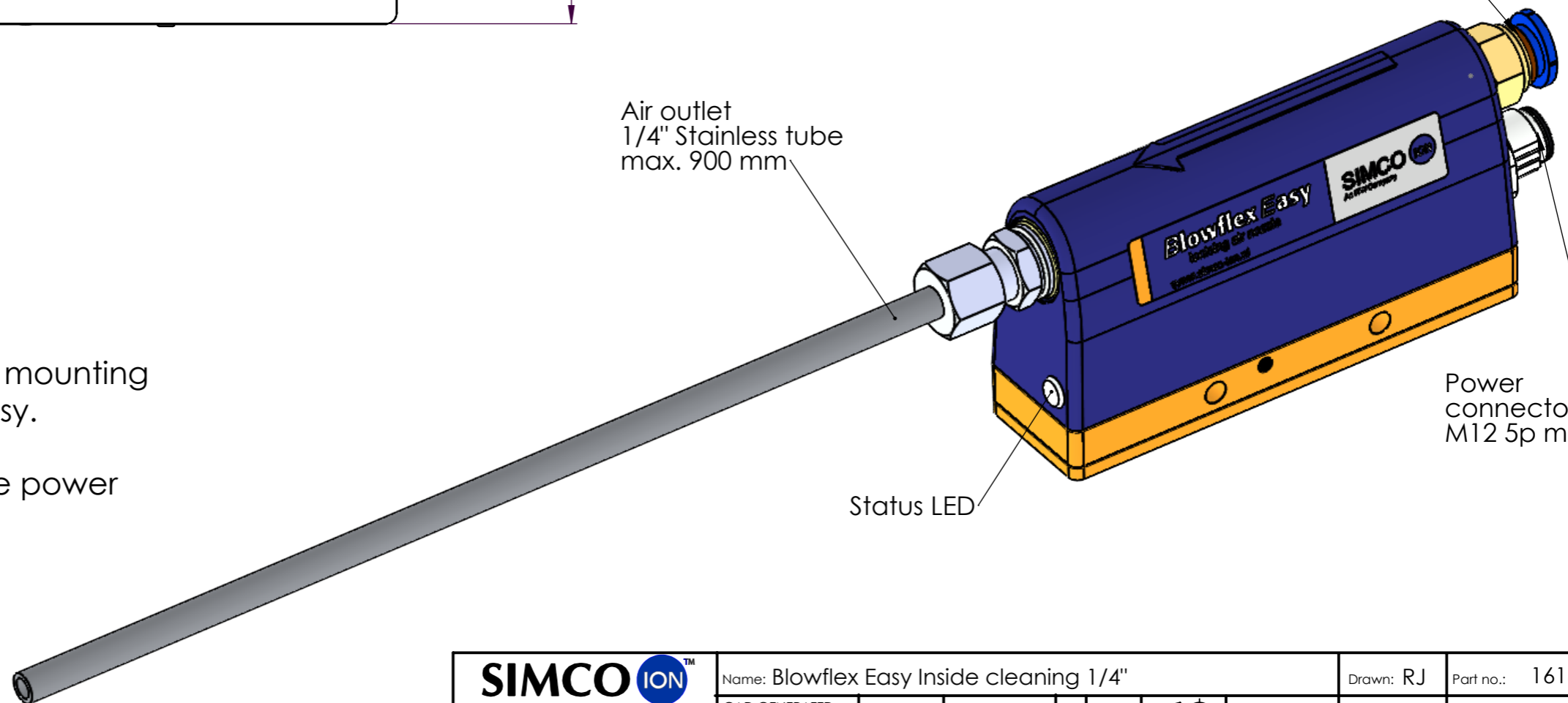
Air outlet
1/4" Stainless tube
max. 900 mm

Air inlet
8 mm
Hose connection

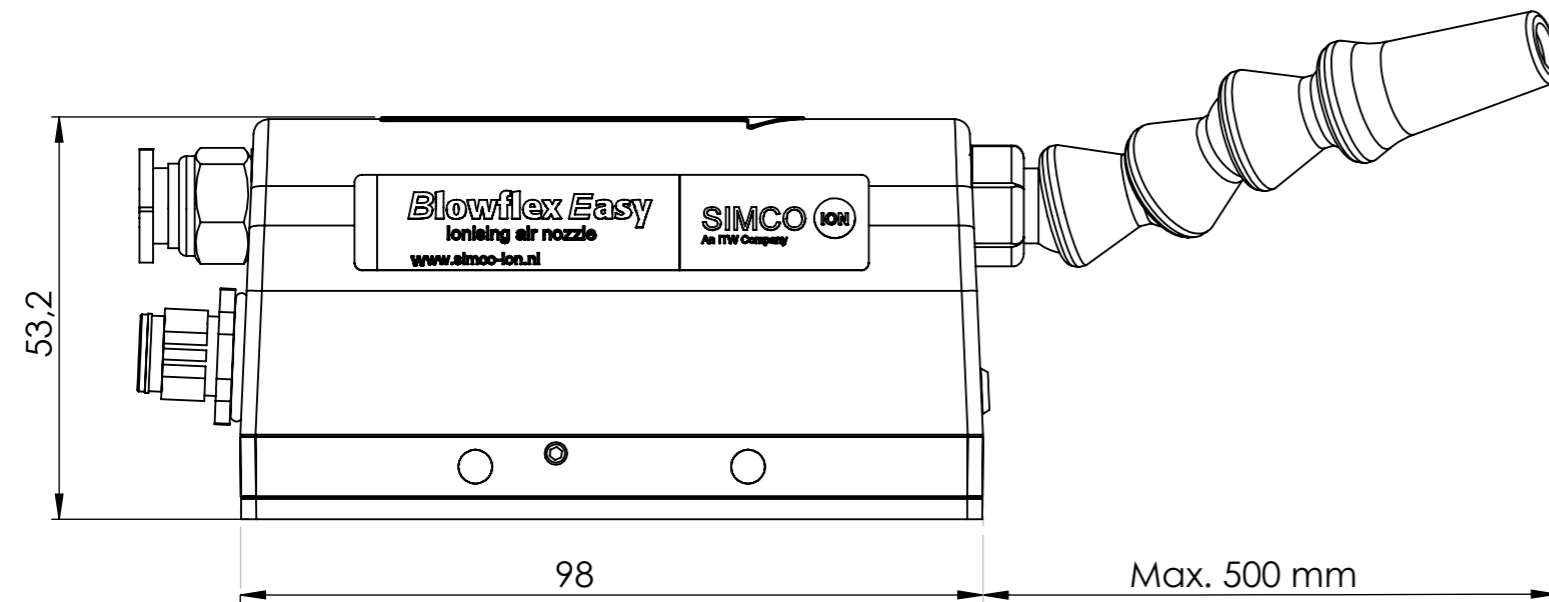
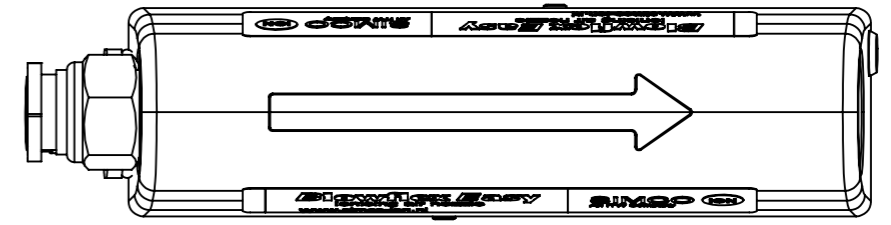
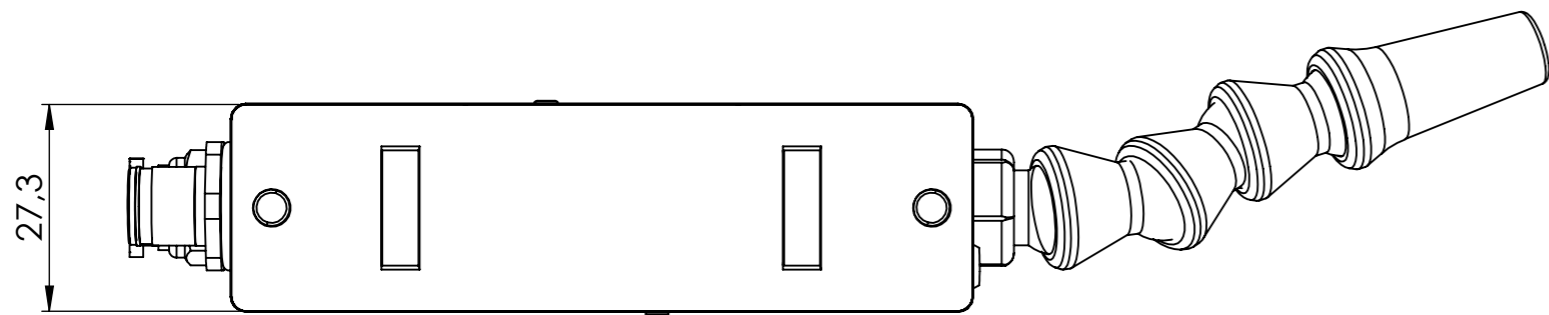
Power
connector
M12 5p male

Drawing 16160010 shows all mounting
variations of the Blowflex Easy.

Drawing 16160020 shows the power
connection variations.

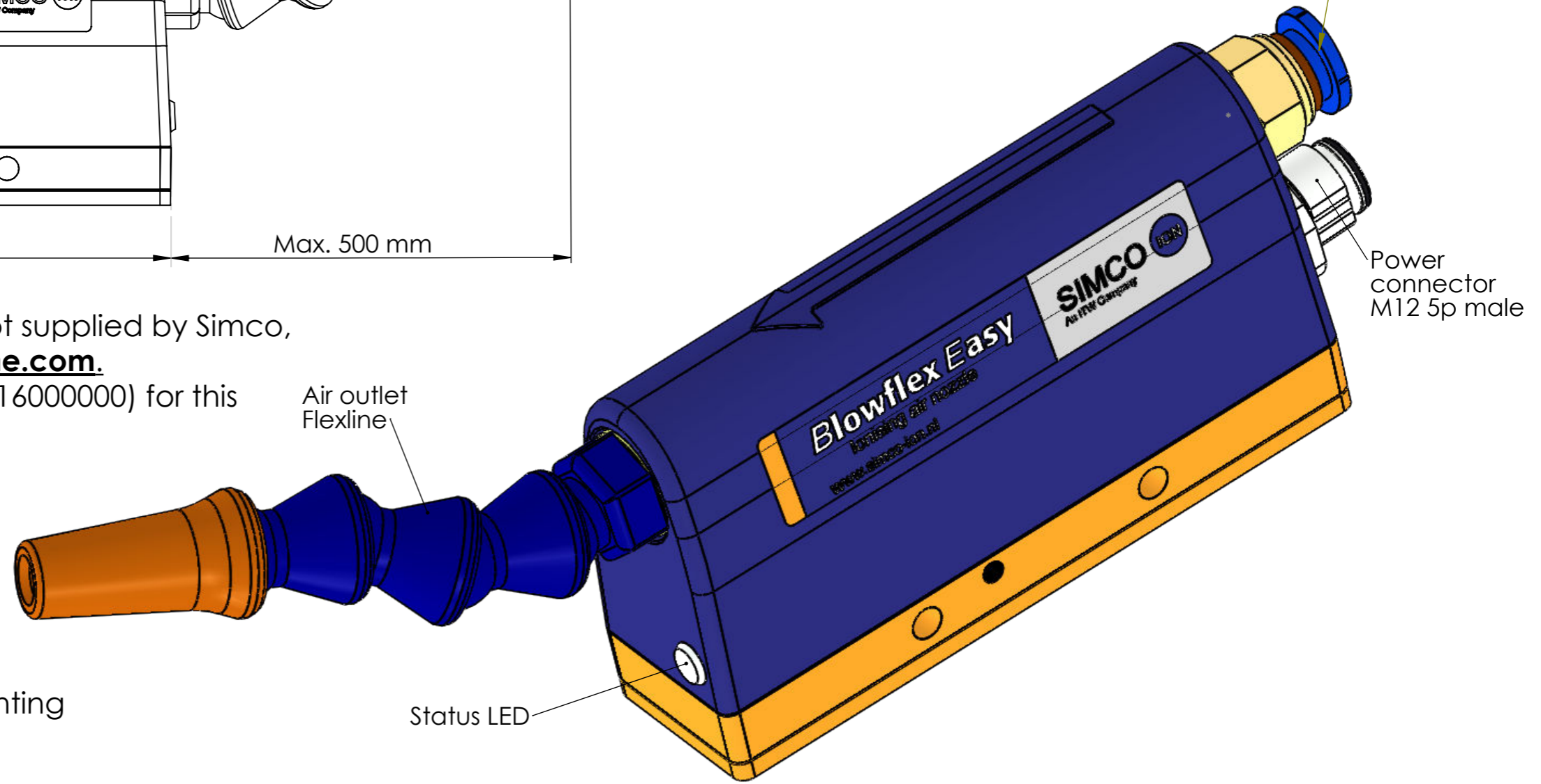


SIMCO ION An ITW Company WWW.SIMCO-ION.NL TEL: +31 (0)573 288333	Name: Blowflex Easy Inside cleaning 1/4"				Drawn: RJ	Part no.: 1616000002		
	CAD GENERATED NOT AUTO UPDATED	Dimensions in mm	Date: 29-12-2020	A3	M: 1:1	ECN-1616	Check: HS	Dwg. no.: 16160002/A



Air inlet
8 mm
Hose connection

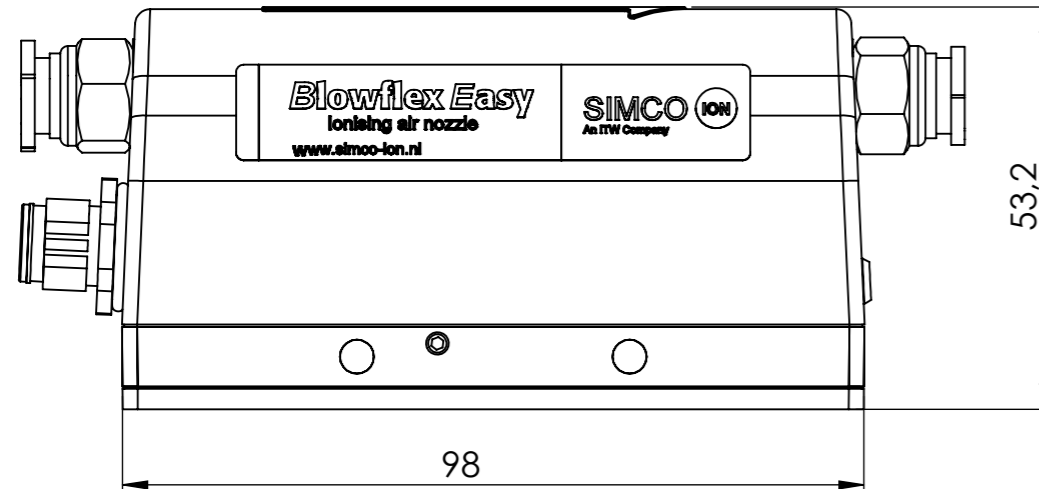
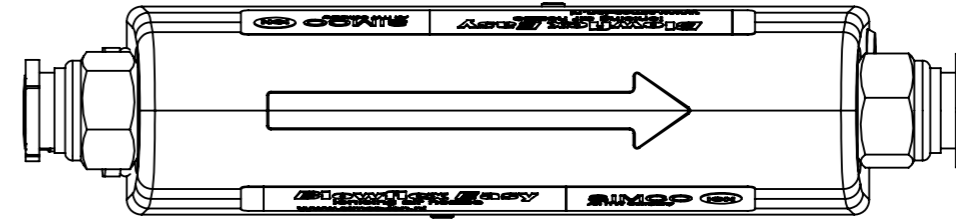
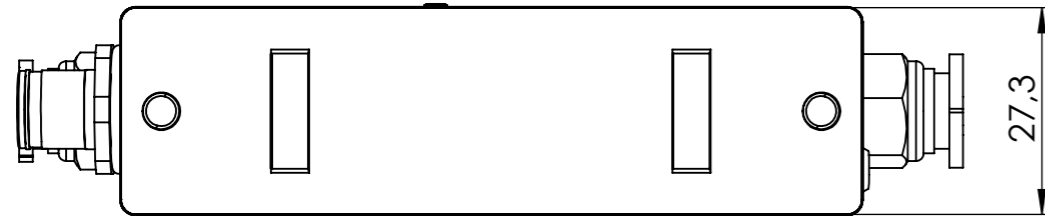
The Flexline air outlet parts are not supplied by Simco, you can find parts at www.loc-line.com. Order the Blowflex Easy Basic (1616000000) for this configuration.



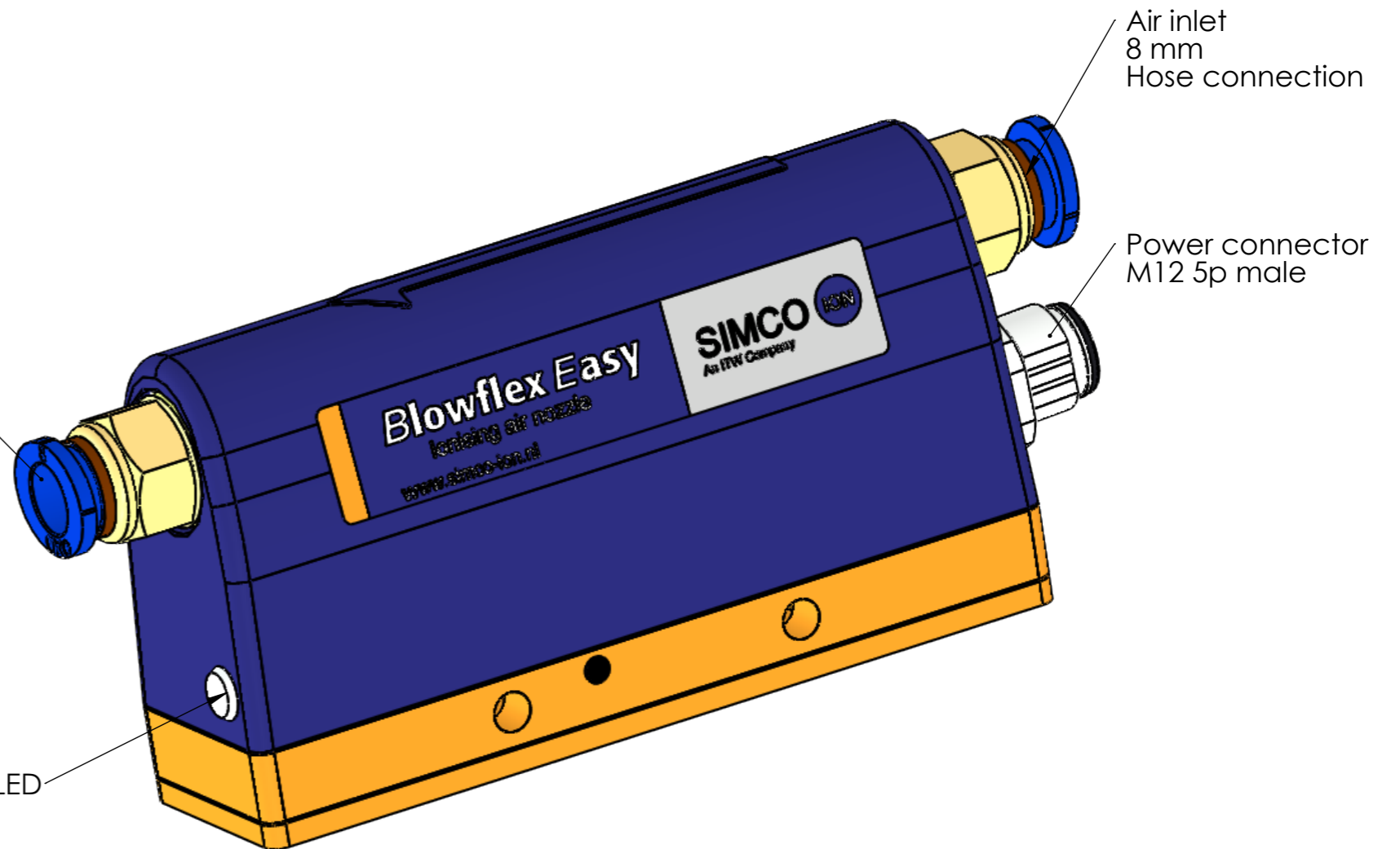
Drawing 16160010 shows all mounting variations of the Blowflex Easy.

Drawing 16160020 shows the power connections variations.

 An ITW Company	Name: Blowflex Easy Flexline						Drawn: RJ	Part no.:	
	CAD GENERATED NOT AUTO UPDATED	Dimensions in mm	Date: 30-12-2020	A3	M: 1:1		ECN-16156	Check: HS	Dwg. no.: 16160007/-



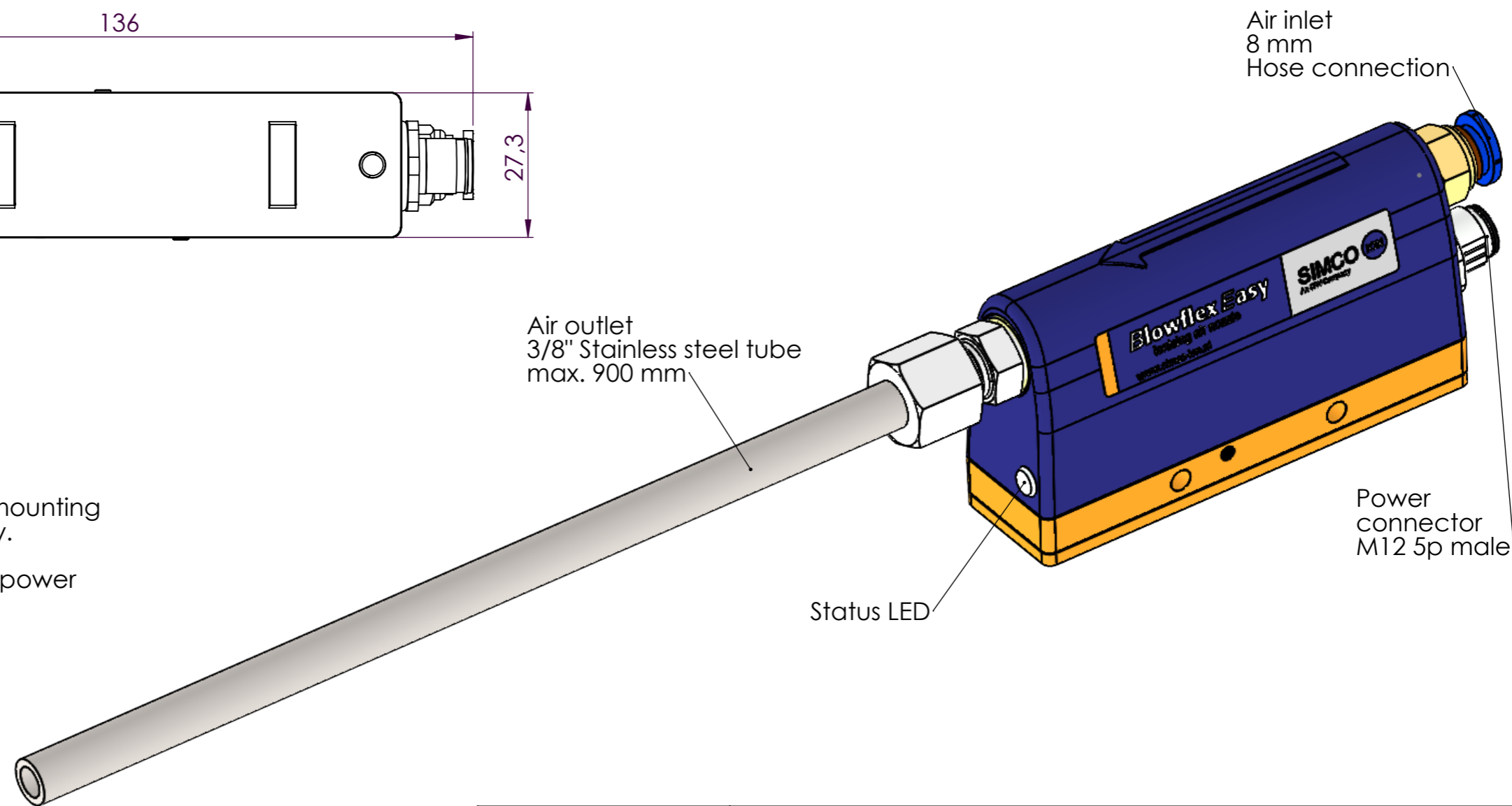
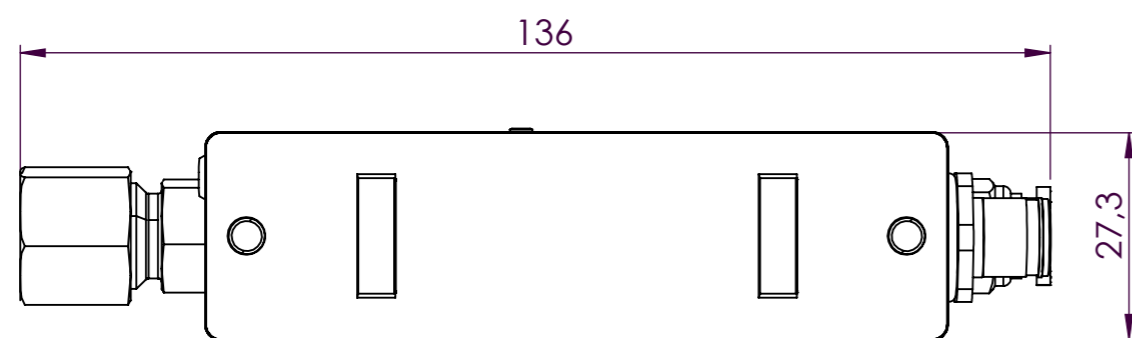
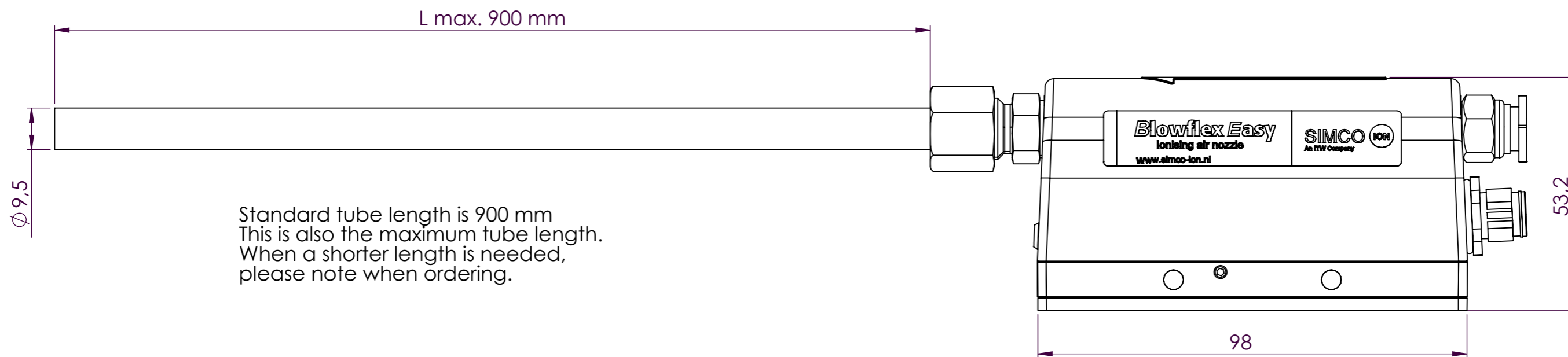
Air outlet
8 mm
Hose connection



Drawing 16160010 shows all mounting variations of the Blowflex Easy.

Drawing 16160020 shows the power connection variations.

 An ITW Company	Name: Blowflex Easy Inline						Drawn: RJ	Part no.: 1616000001	
	CAD GENERATED NOT AUTO UPDATED	Dimensions in mm	Date: 24-12-2020	A3	M: 1:2		ECN-1616	Check: HS	Dwg. no.: 16160001/-



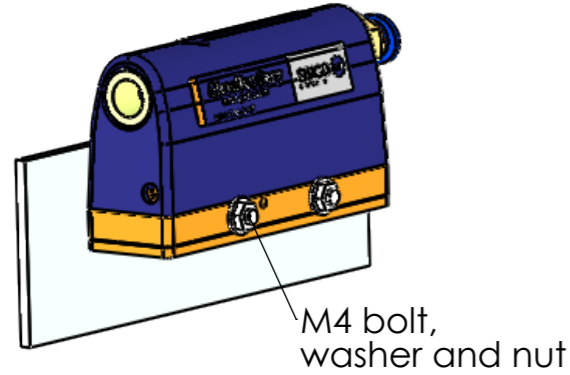
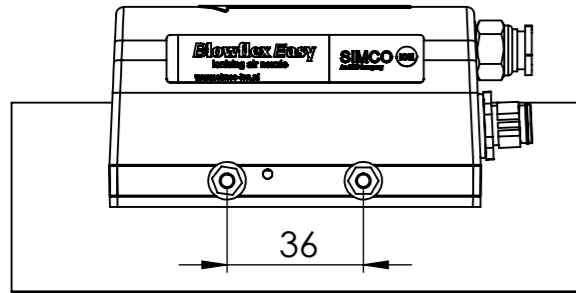
Drawing 16160010 shows all mounting variations of the Blowflex Easy.

Drawing 16160020 shows the power connection variations.

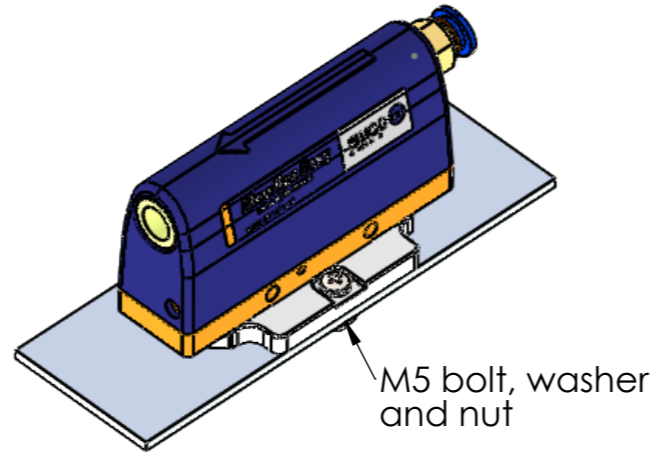
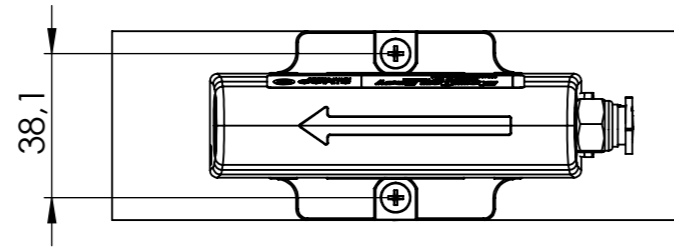
 An ITW Company	Name: Blowflex Easy Inside cleaning 3/8"					Drawn: RJ	Part no.: 1616000011	
	CAD GENERATED NOT AUTO UPDATED	Dimensions in mm	Date: 5-11-2021	A3	M: 1:1	ECN-1616	Check: HS	Dwg. no.: 16160011/-

WWW.SIMCO-ION.NL TEL: +31 (0)573 288333

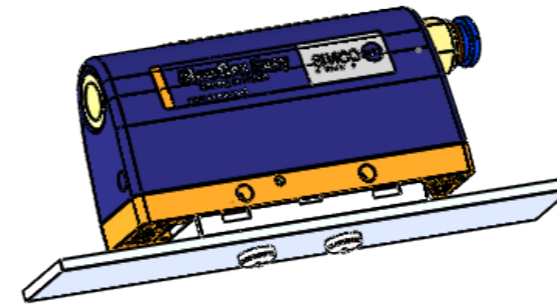
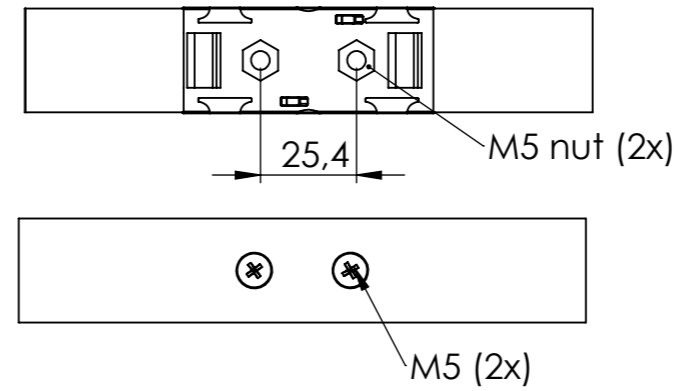
Side mounting



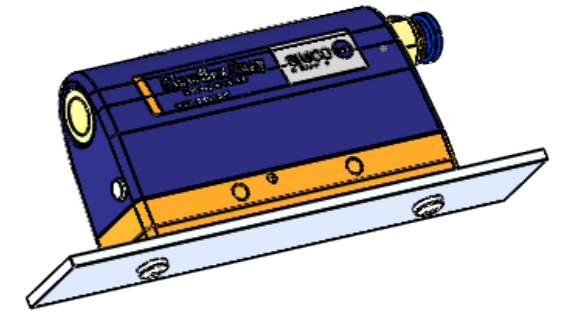
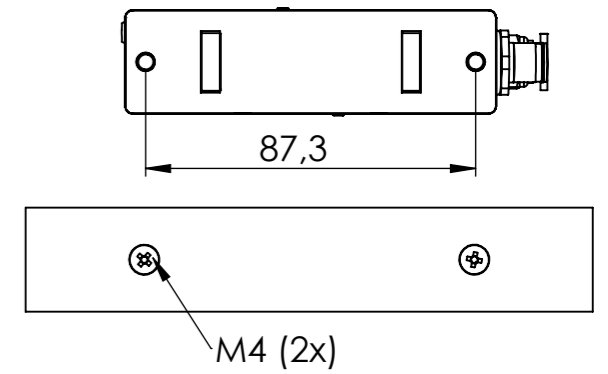
Mounting with Simco bracket wide



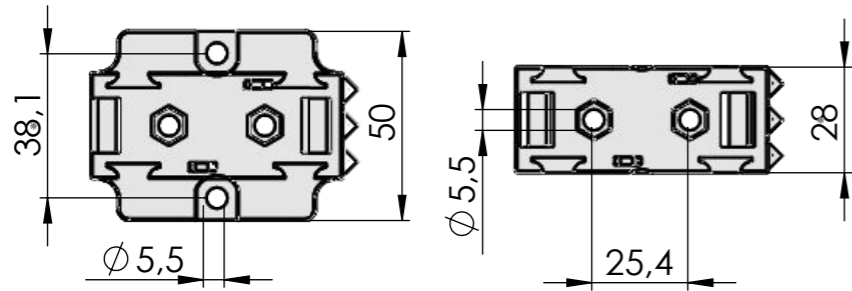
Mounting with Simco bracket small



Mounting with insert threads

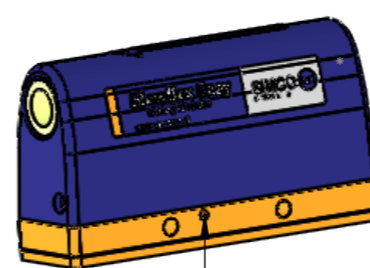


The Simco bracket has 2 removable wings for small mounting

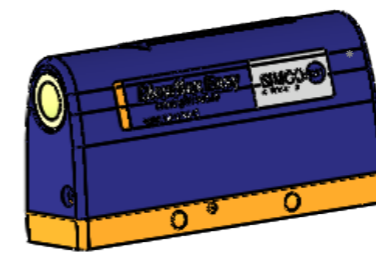


Examples of mounting possibilities, more variations are possible.

Mounting the Simco bracket



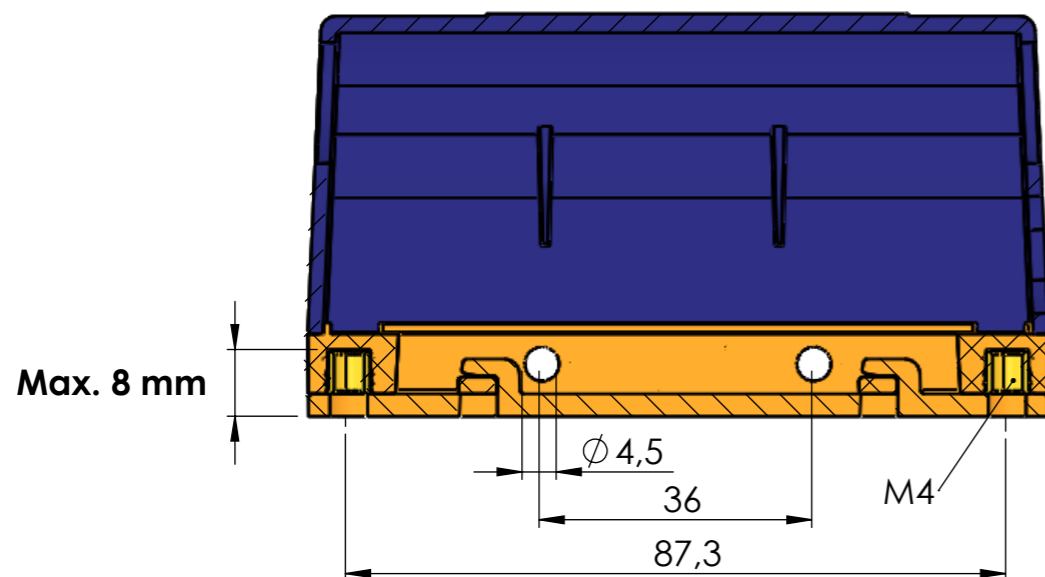
Loose the 2 set screws on both sides and remove the cover by sliding.

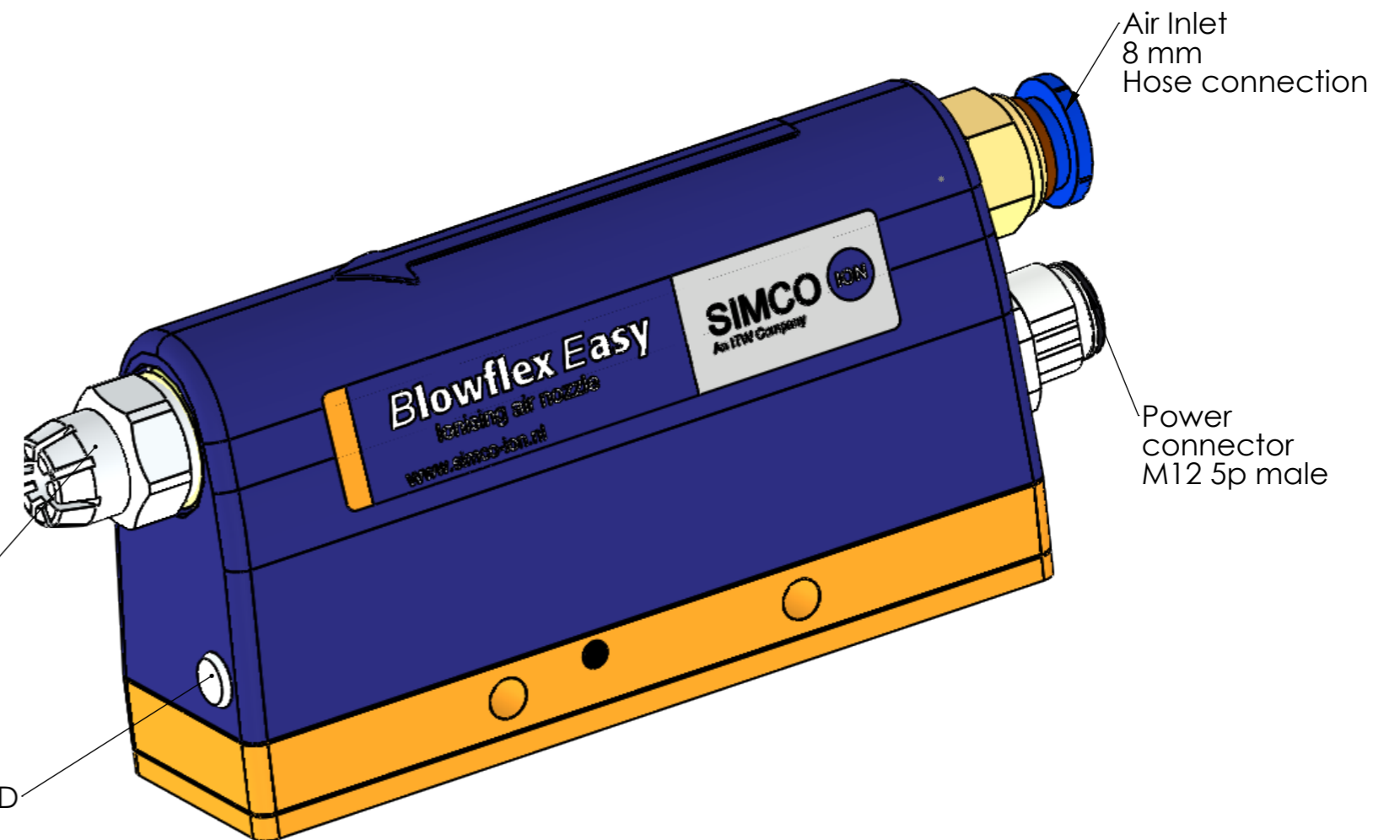
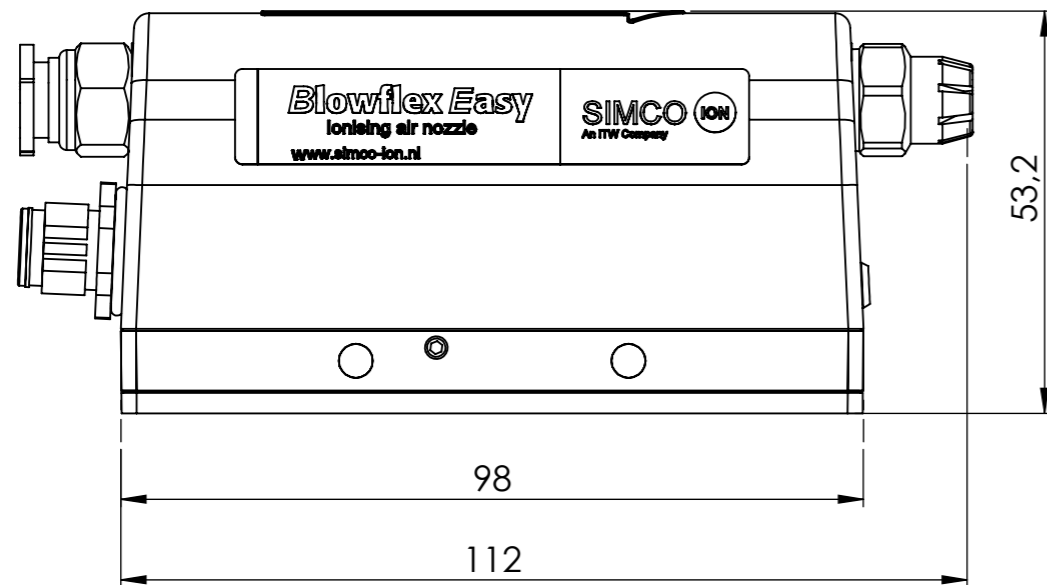
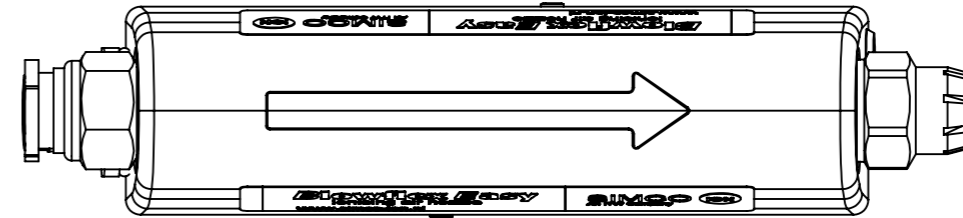
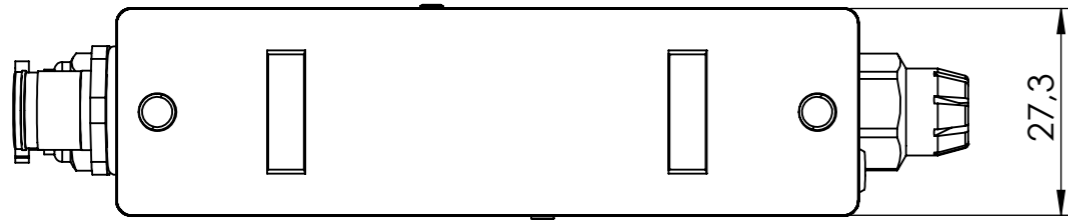


Attach the bracket and slide it in position.



Fix the 2 set screws.



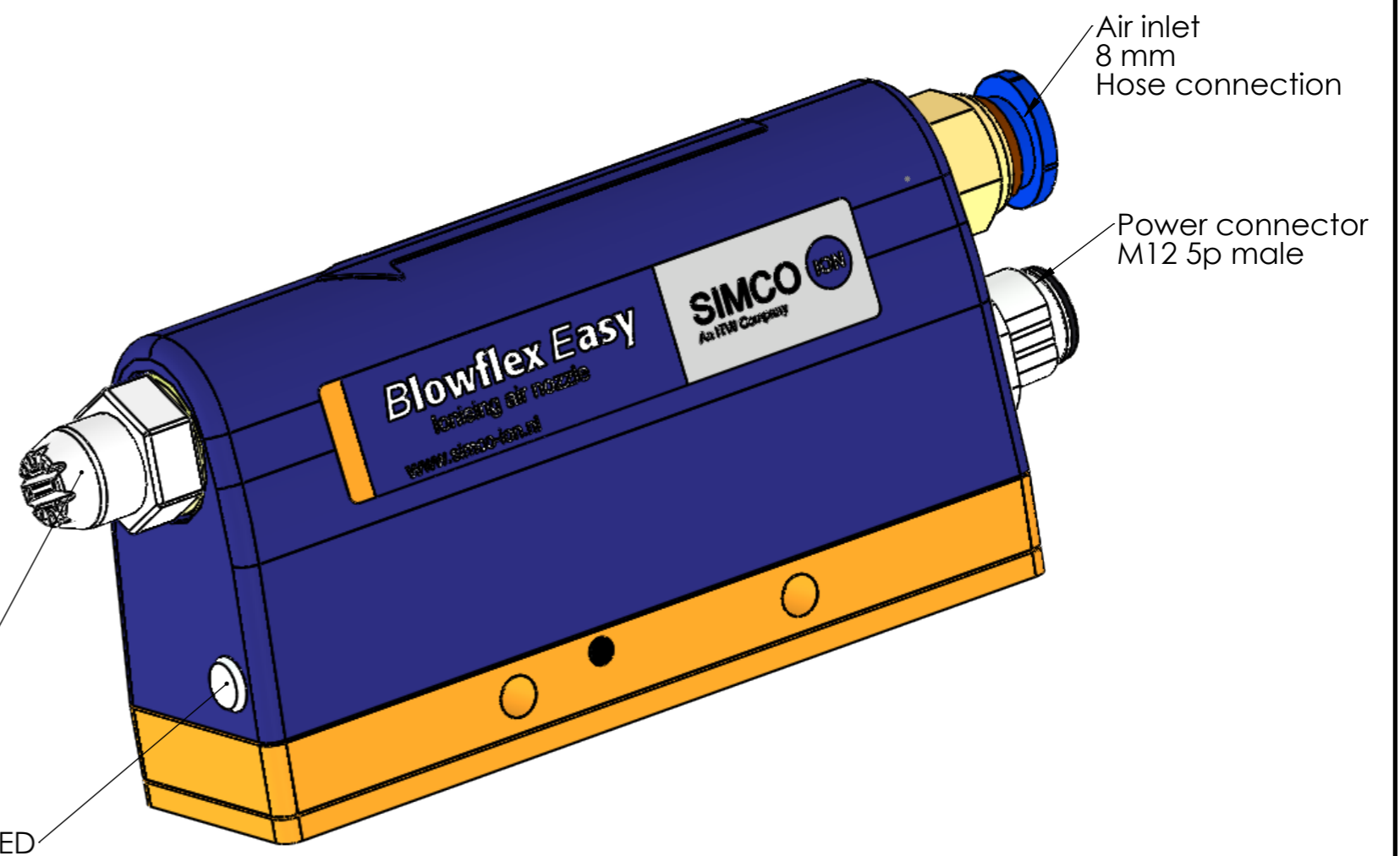
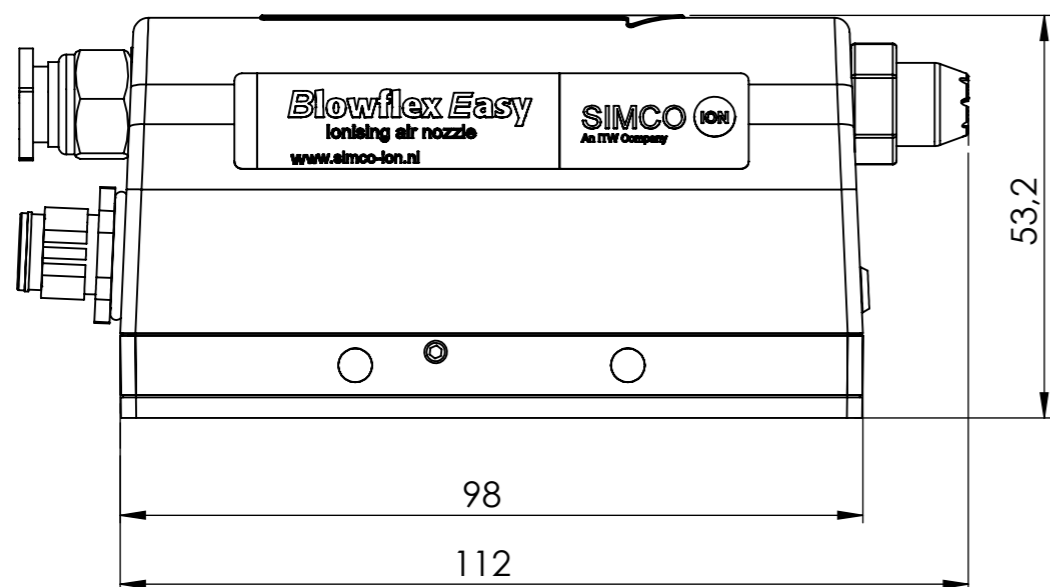
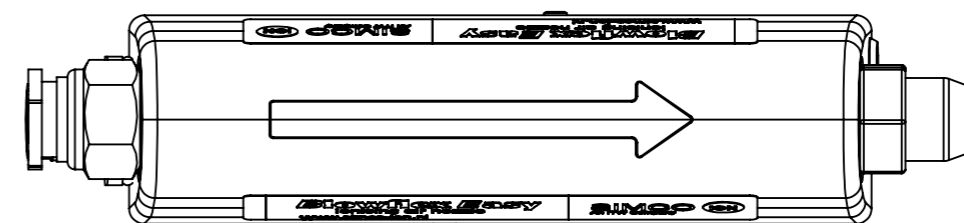
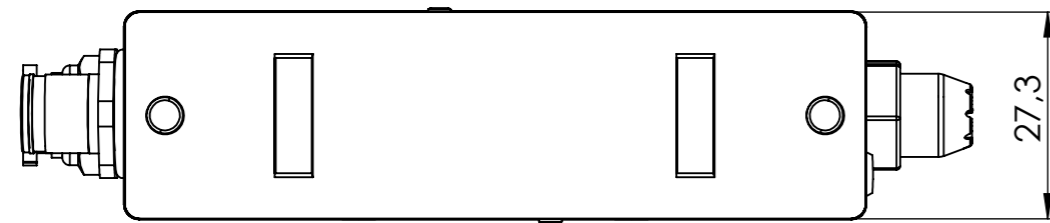


Drawing 16160010 shows all mounting variations of the Blowflex Easy.

Drawing 16160020 shows the power connection variations.

 An ITW Company	Name: Blowflex Easy Round metal						Drawn: RJ	Part no.: 1616000005	
	CAD GENERATED NOT AUTO UPDATED	Dimensions in mm	Date: 29-12-2020	A3	M: 1:1		ECN-1616	Check: HS	Dwg. no.: 16160005/-

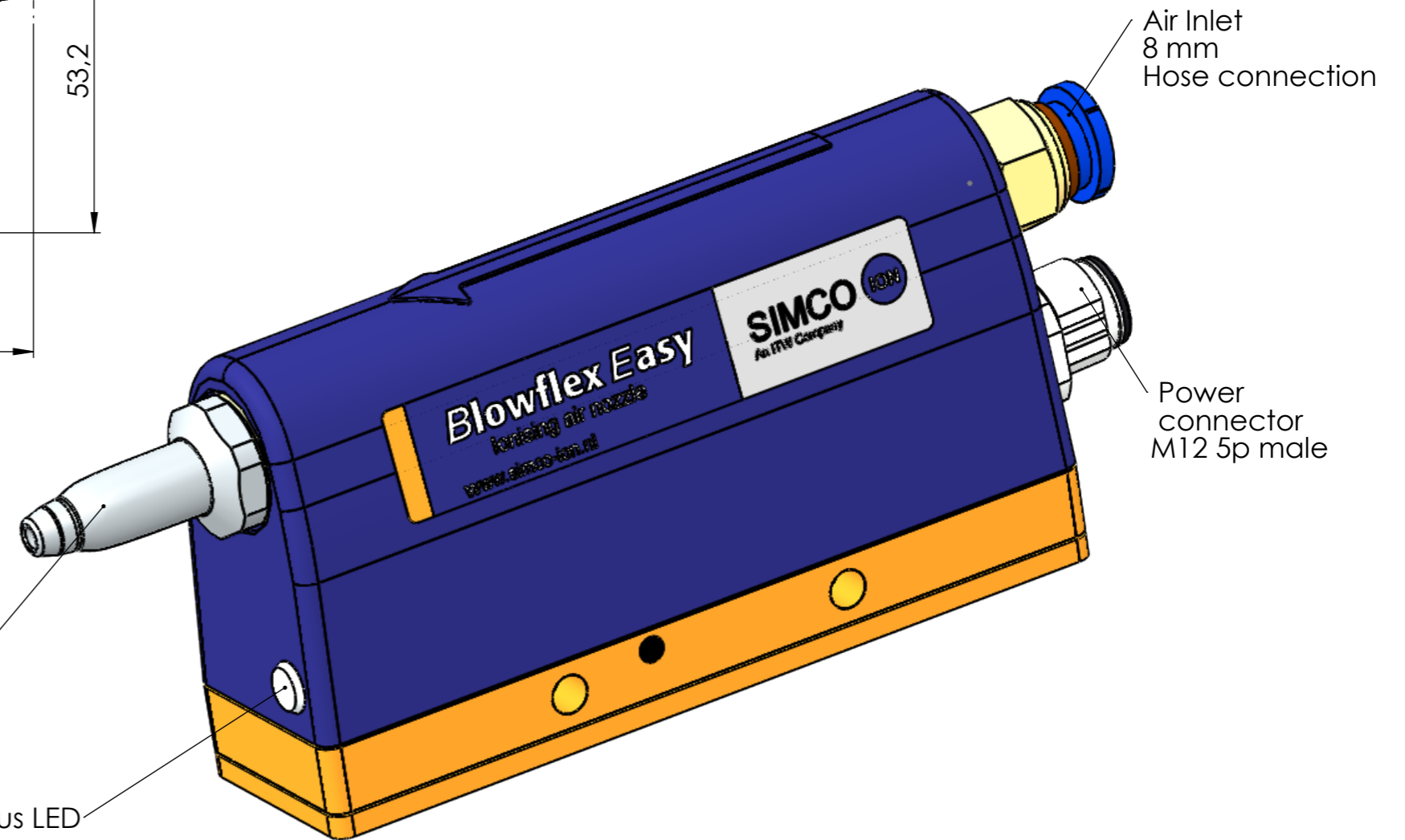
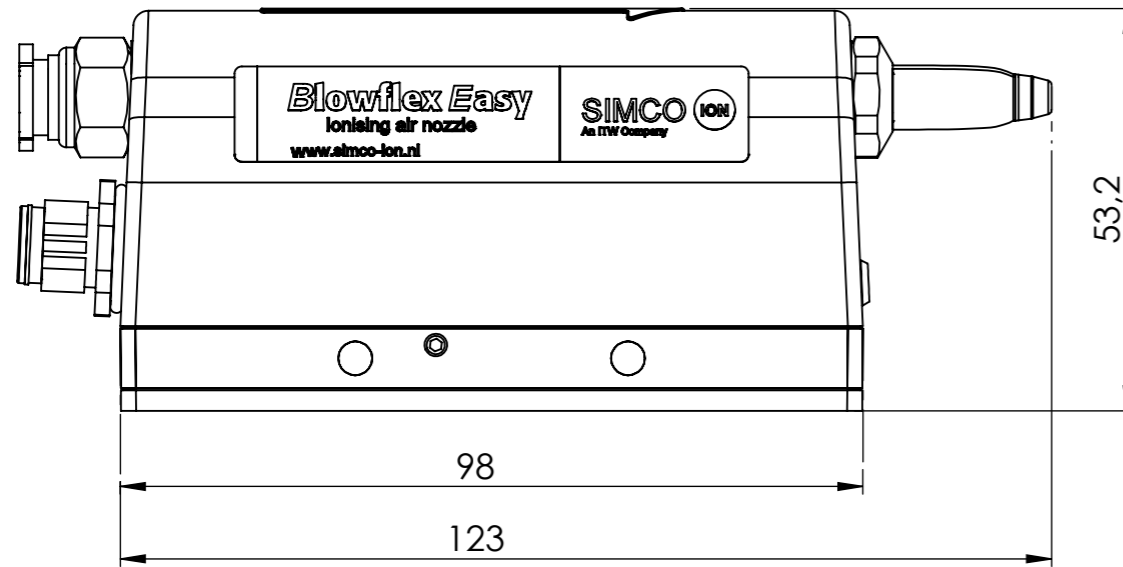
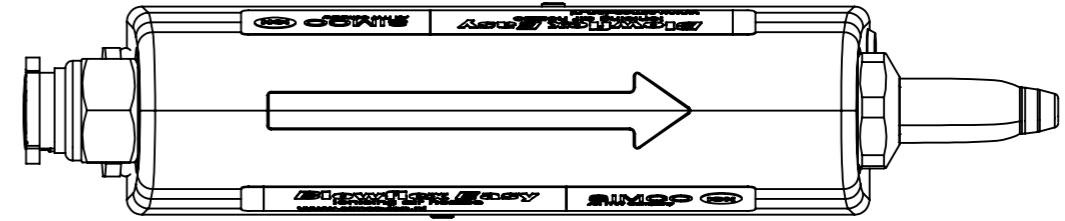
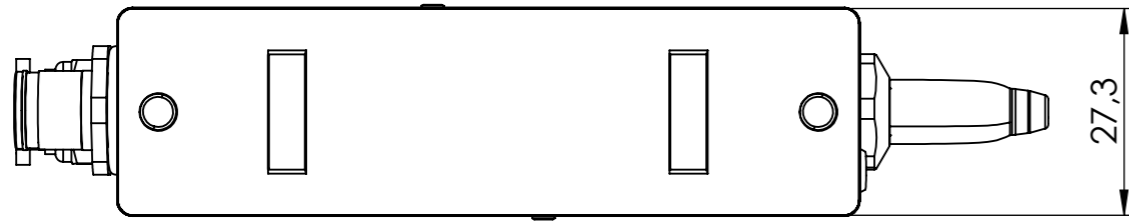
WWW.SIMCO-ION.NL TEL: +31 (0)573 288333



Drawing 16160010 shows all mounting variations of the Blowflex Easy.

Drawing 16160020 shows the power connection variations.

 An ITW Company	Name: Blowflex Easy Round plastic					Drawn: RJ	Part no.: 1616000004	
	CAD GENERATED NOT AUTO UPDATED	Dimensions in mm	Date: 29-12-2020	A3	M: 1:1	ECN-1616	Check: HS	Dwg. no.: 16160004/-



Drawing 16160010 shows all mounting variations of the Blowflex Easy.

Drawing 16160020 shows the power connection variations.