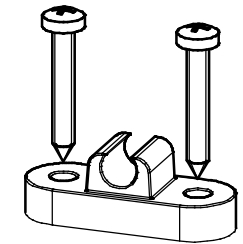


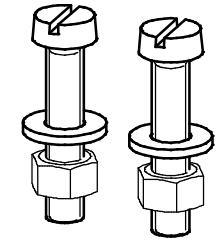
NOTES

* MINIMUM CENTRE TO CENTRE DISTANCE 30 mm

MOUNTING MATERIALS INCLUDED

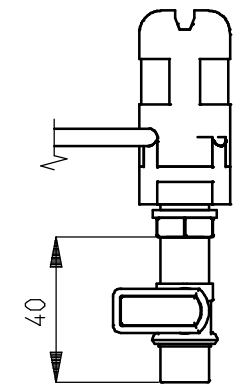
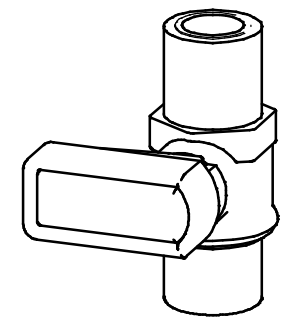


CABLE CLAMPS
4 PER METER CABLE LENGTH

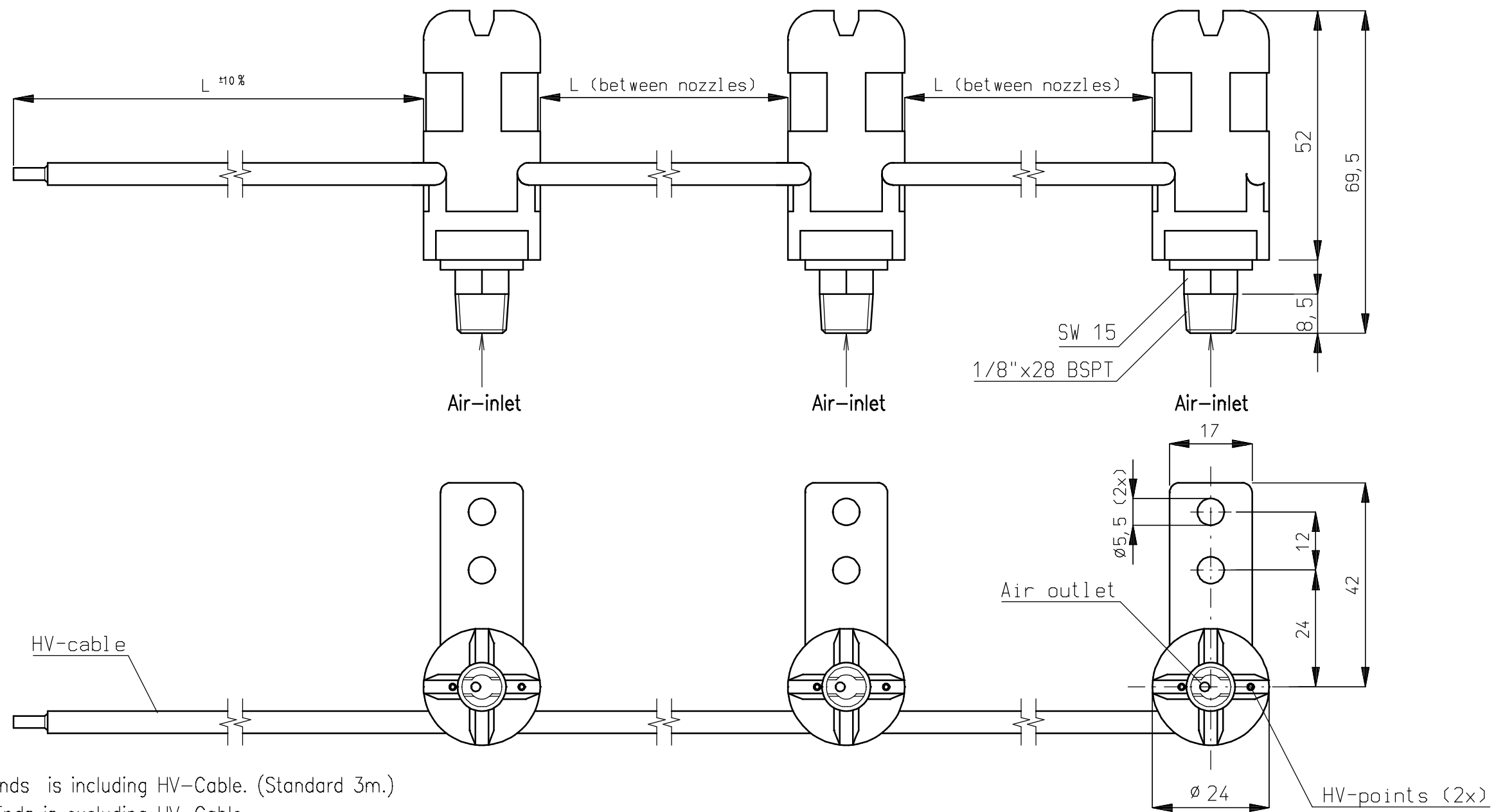


2 MOUNTING SCREWS
M5X25 WITH WASHERS AND NUTS
PER NOZZLE

OPTIONAL VALVE
1/8 BSP FEMALE - FEMALE
P/N 9146982101



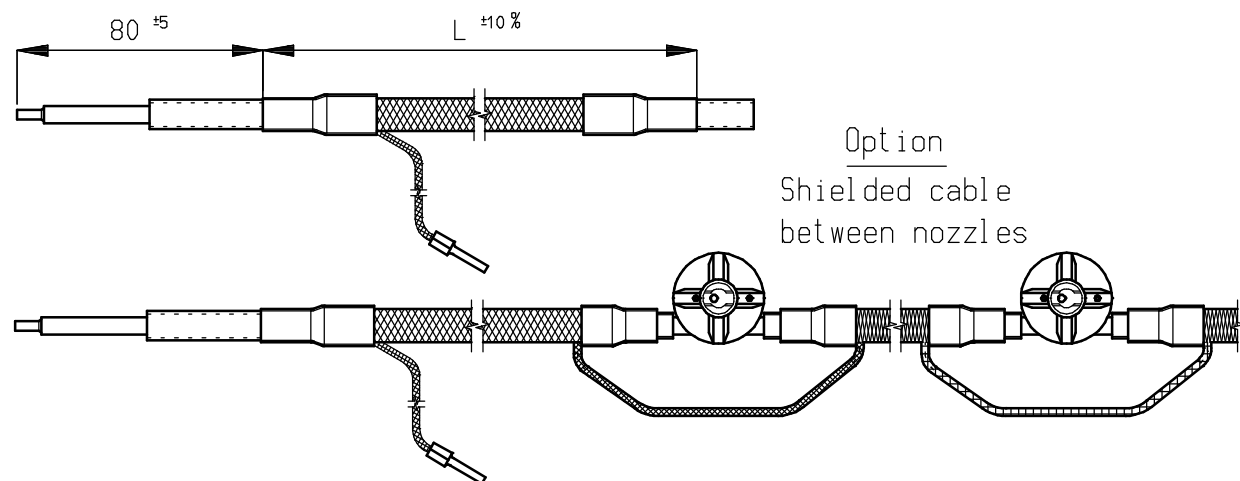
<p>SIMCO ION An ITW Company www.simco-ion.nl Tel.: +31 (0)573 288333</p>	Name: Nozzle type HE (non shielded cable)					Drawn: AB	Part no.: 1606xxxxxx
	CAD generated NOT updated	Dimensions in mm	Date: 23-11-2018	A3	M: 1:1	ECN2018-028	Check: -



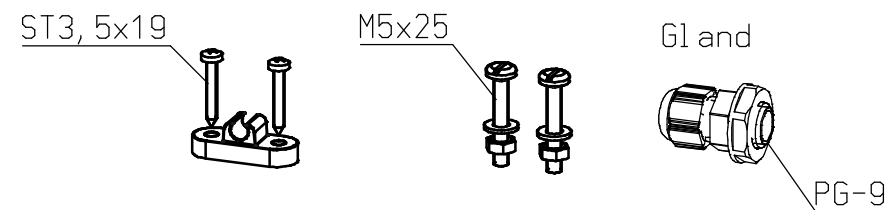
Note:
 Delivery of Dead-Ends is including HV-Cable. (Standard 3m.)
 Delivery of Cable-Ends is excluding HV-Cable.

Cable exit options

(With shielded HV-cable)

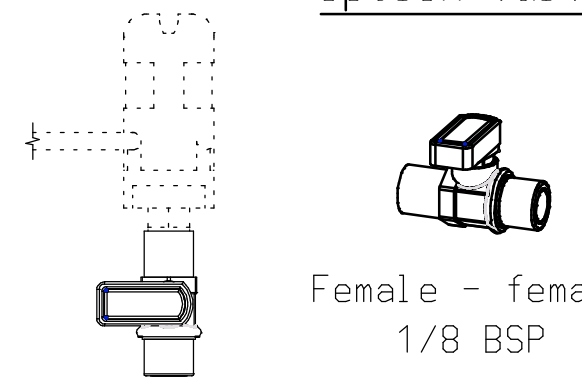


Mounting materials included



Amount of cable clamps =
 (cable length(m)x4)-1
 (only with standard HV-cable)

Option Valve



Female - female
 1/8 BSP
 Part no.: 9146982101