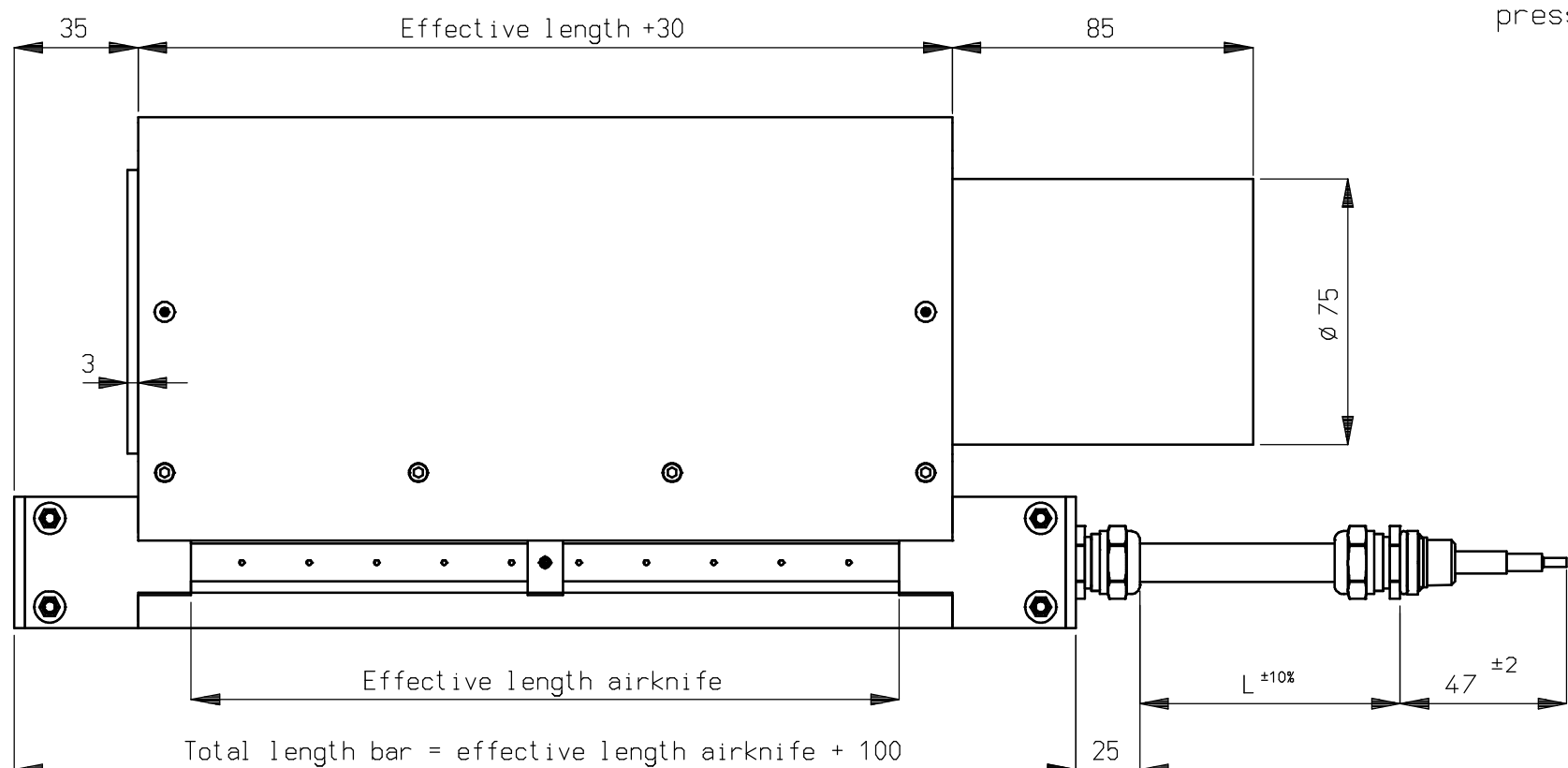
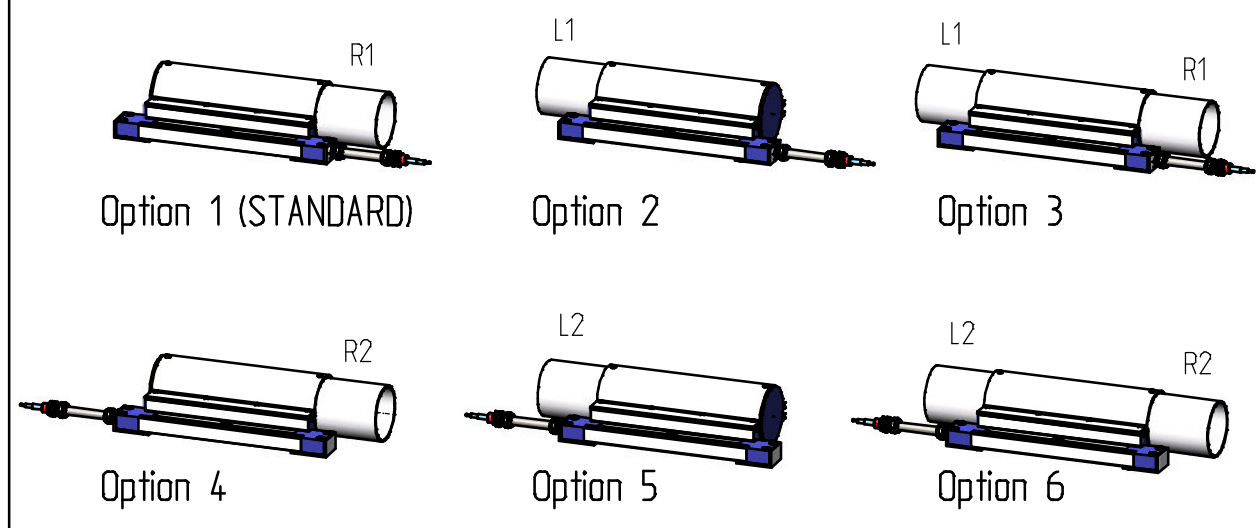


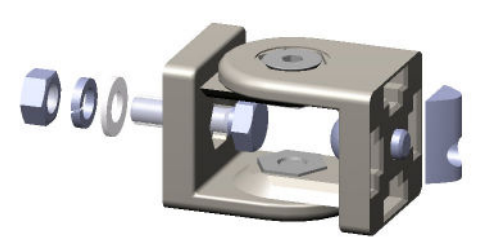
Connection for optional pressure sensor



Options



Options accessories



Mounting set
part no.: 4479900105



Pressure Sensor set 0 to 100kPa
Part no.: 4479900150

 An ITW Company	Name: Typhoon-airknife with EP-Sh-N bar				Drawn: BSG	Part no.: —
	CAD generated NOT updated	Dimensions in mm	Date: 16-10-2008	A3 M: —	ECN2011-070	Check: -